

Use & Care Guide
Manual de Uso y Cuidado

Kenmore®

Intuition® Bagged Upright Vacuum ASPIRADORA CON BOLSA

Model/Modelo: BU4022

Vacuum Cleaner Help Line:
1-844-608-3080
8:00am-5:00pm EST, M-F

www.kenmore.com

Kenmore and the Kenmore logo are registered trademarks of KCD IP, LLC and/or Transform SR Brands LLC and are used under license.



TABLE OF CONTENTS

Before Using Your New Vacuum Cleaner	2
Packing List	2
Important Safety Instructions.....	3-4
Kenmore Vacuum Cleaner Warranty	5
Parts and Features.....	6
Assembly Instructions	7-8
Operating Instructions	9-15
Performance/Safety Features	16
Vacuum Maintenance and Care.....	17-23
Troubleshooting	24-25

BEFORE USING YOUR NEW VACUUM CLEANER

Read this Use & Care Guide. It will help you assemble and operate your new Kenmore vacuum cleaner in the safest and most effective way.

For more information about vacuum cleaner care and operation, call the Vacuum Cleaner Help Line at 1-844-608-3080. You will need the complete model and serial numbers when requesting information.

Your vacuum cleaner's model and serial numbers are located on the Model and Serial Number Plate. Use the space below to record the model number and serial number of your new Kenmore vacuum cleaner.

Model No. _____

Serial No. _____

Date of Purchase _____

Keep this book and your sales check (receipt) in a safe place for future reference.

PACKING LIST

Your KENMORE INTUITION[®] BAGGED UPRIGHT VACUUM CLEANER is packaged with the following parts and components assembled separately in the carton:

- | | |
|--------------------------|------------------------------|
| 1 Upright Vacuum Cleaner | 1 Handle |
| 1 Combination Tool | 1 Wand |
| 1 Flexible Hose | 1 Use & Care Guide |
| 1 Dusting Brush | 1 Pet HandiMate [®] |

IMPORTANT SAFETY INSTRUCTIONS

Read all instructions in this guide before assembling or using your vacuum cleaner.

WARNING!

Your safety is important to us. To reduce the risk of fire, electrical shock, injury to persons or damage when using your vacuum cleaner, follow basic safety precautions including the following:

- Use your vacuum cleaner only as described in this Use & Care Guide. Use only with manufacturer's recommended attachments.
- Disconnect electrical supply before servicing or cleaning out the brushroll area. Failure to do so could result in the brushroll unexpectedly starting, causing personal injury from moving parts.
- Do not leave vacuum cleaner when plugged in. Unplug from outlet when not in use and before performing maintenance.
- To reduce the risk of electrical shock - Do not use outdoors or on wet surfaces.
- Do not allow to be used as a toy. Close attention is necessary when used by or near children.
- Do not use with a damaged cord or plug. If vacuum cleaner is not working as it should, has been dropped, damaged, left outdoors, or dropped in water, call 1-844-608-3080 for assistance.
- Do not pull or carry by cord, use cord as a handle, close a door on cord, or pull cord around sharp edges or corners. Do not run vacuum cleaner over cord. Keep cord away from heated surfaces.
- Do not unplug by pulling on cord. To unplug, grasp the plug, not the cord.
- Do not handle plug or vacuum cleaner with wet hands.
- Do not put any objects into openings.
- Do not use with any opening blocked; keep free of dust, lint, hair, and anything that may reduce air flow.
- Keep hair, loose clothing, fingers, and all parts of body away from openings and moving parts.
- Turn off all controls before unplugging.
- Use extra care when cleaning on stairs.
- Do not put on chairs, tables, etc. Keep on floor.
- Do not use vacuum cleaner to pick up flammable or combustible liquids (gasoline, cleaning fluid, perfumes, etc.), or use in areas where they may be present. The fumes from these substances can create a fire hazard or explosion.
- Do not pick up anything that is burning or smoking, such as cigarettes, matches, or hot ashes.
- Do not use vacuum cleaner without dust cup and/or filters in place.
- Always replace the dust bag after vacuuming carpet cleaners or freshener, powders, and fine dust. These products clog the filters, reduce airflow and can cause damage to the vacuum cleaner. Failure to replace the dust bag could cause permanent damage to the vacuum cleaner.
- Do not use the vacuum cleaner to pick up sharp hard objects, small toys, pins, paper clips, etc. They may damage the vacuum cleaner or dust bag.
- You are responsible for making sure that your vacuum cleaner is not used by anyone unable to operate it properly.

IMPORTANT SAFETY INSTRUCTIONS

WARNING!

This product contains a chemical known to the state of California to cause cancer and birth defects or other reproductive harm.

SAVE THESE INSTRUCTIONS

Proper assembly and safe use of your vacuum cleaner are your responsibilities. Your vacuum cleaner is intended for Household use. Read this Use & Care Guide carefully for important use and safety information. This guide contains safety statements under warning and caution symbols.

KENMORE VACUUM CLEANER WARRANTY

If product is purchased at a Sears, Kmart or Sears Hometown retailer:

KENMORE LIMITED WARRANTY

FOR FIVE YEARS from the date of sale, this product is warranted against defects in material or workmanship when it is assembled, operated and maintained according to all supplied instructions.

WITH PROOF OF SALE, a defective appliance will be replaced free of charge.

For warranty coverage details to obtain free replacement, visit the web page:

www.kenmore.com/warranty

This warranty does not cover filters or belts, which are expendable parts that can wear out from normal use within the warranty period.

This warranty is void if this product is ever used for other than private household purposes.

This warranty gives you specific legal rights, and you may also have other rights which vary from state to state.

Transform SR Brands Management LLC, Hoffman Estates, IL 60179

If product is purchased from other than a Sears, Kmart or Sears Hometown retailer:

KENMORE LIMITED WARRANTY

FOR FIVE YEARS from the date of sale this product is warranted against defects in material or workmanship.

WITH PROOF OF SALE a defective product will be replaced free of charge.

The Kenmore brand is used under license. Direct all claims for warranty service to: Cleva North America, Inc., 1-844-608-3080

This warranty does not cover filters or belts, which are expendable parts that can wear out from normal use within the warranty period.

This warranty is void if this product is ever used for other than private household purposes.

This warranty gives you specific legal rights, and you may also have other rights which vary from state to state.

Cleva North America, Inc., Greenville SC 29607

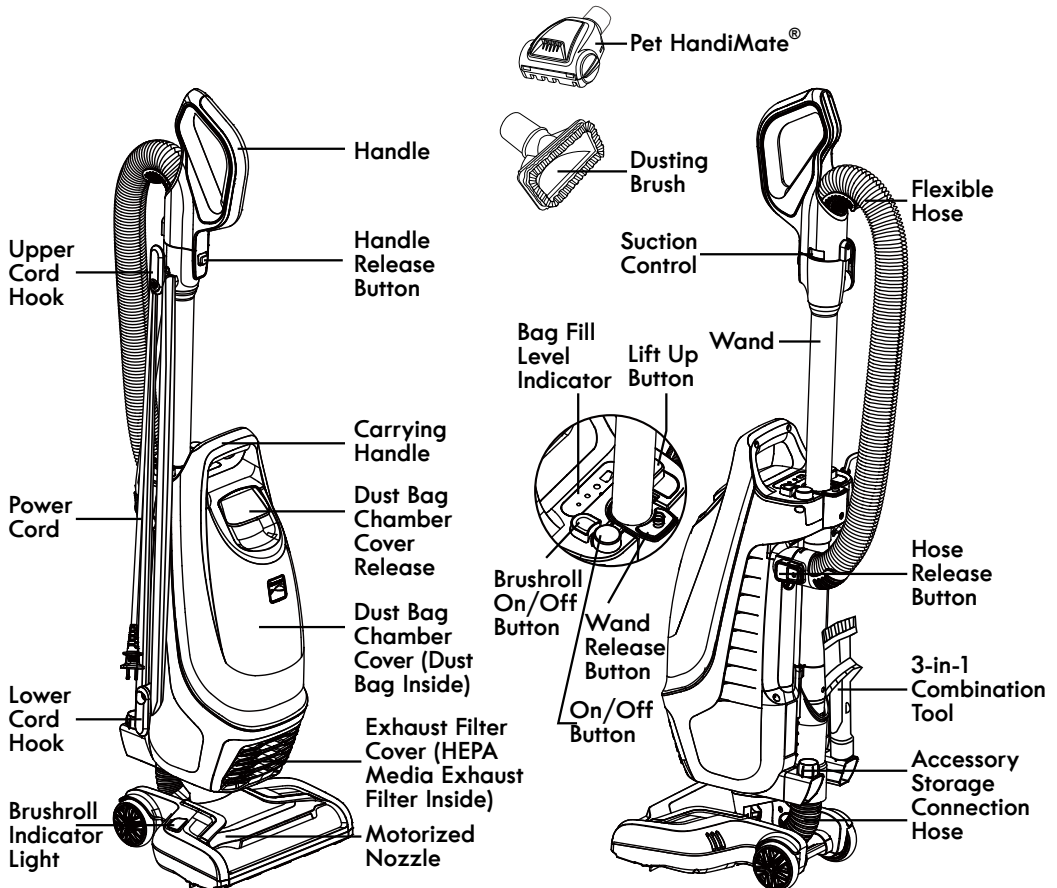
PARTS AND FEATURES

It is important to know your vacuum cleaner's parts and features to assure its proper and safe use. Review these before using your vacuum cleaner.

REPLACEMENT PARTS

Item	Part No.
Foam Filter	561060125
HEPA Media Exhaust Filter	561055118
3-in-1 Combination Tool	561055134
Dusting Brush	561016200
Pet HandiMate®	561014106
Dust Bag (6-pack)	IB600
Wand	561060175
Flexible Hose (with handle)	561060172

To order a replacement part, call 1-844-608-3080.



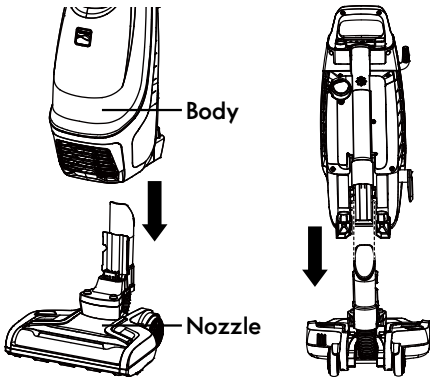


Please pay special attention to these hazard alert boxes, and follow any instructions given. **WARNING** statements alert you to such hazards as fire, electric shock, burns and personal injury. **CAUTION** statements alert you to such hazards as personal injury and/or property damage.

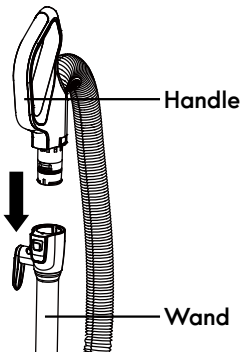
ASSEMBLY INSTRUCTIONS

Before assembling the vacuum cleaner, check the **PACKING LIST** (page 2). Use this list to verify that you have received all the components of your new Kenmore Intuition® Bagged Upright Vacuum Cleaner.

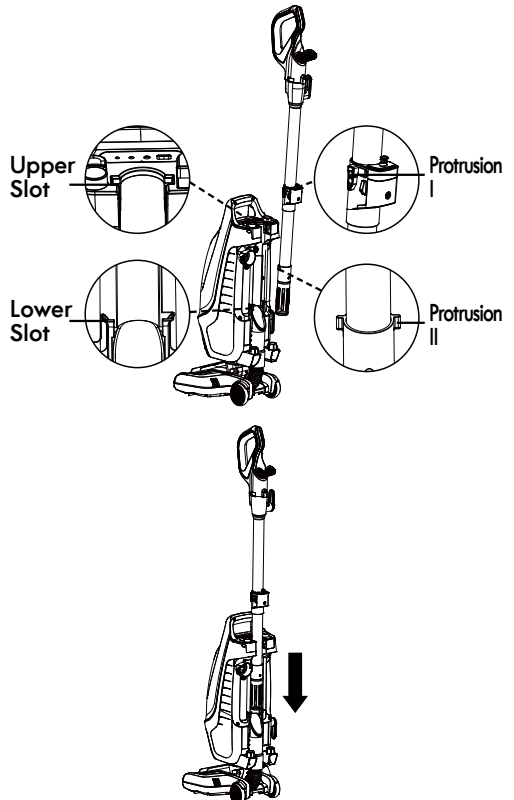
1. To place the body onto the nozzle, carry the body over the nozzle and align the nozzle neck with the guides in the body and slowly drop into place until a 'click' is heard.



2. Insert the handle into wand until you hear a 'click'.



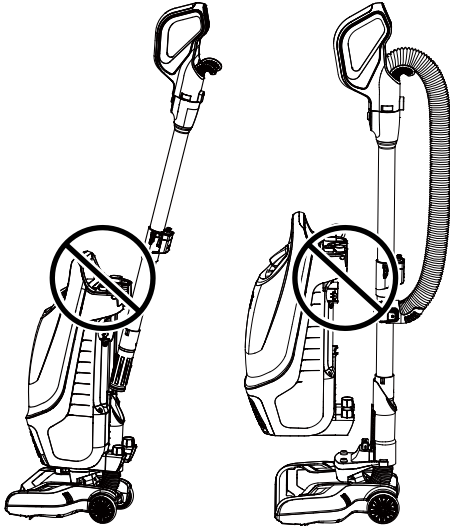
3. Locate the wand parallel with the body; make sure the protrusion is under upper slot as shown. Then push the wand to fit the body and then insert downward into the nozzle neck. Make sure the protrusion I is locked into upper slot and protrusion II into lower slot. A 'click' can be heard once you finish the wand assembly.



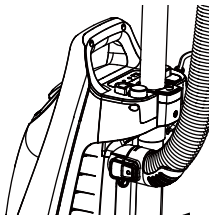
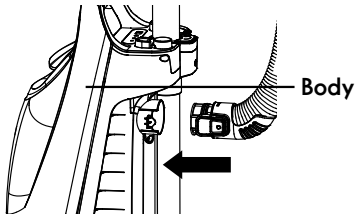
ASSEMBLY INSTRUCTIONS

NOTE: DO NOT tilt the wand to insert it into the nozzle neck.

DO NOT insert the wand before placing the body onto the nozzle.

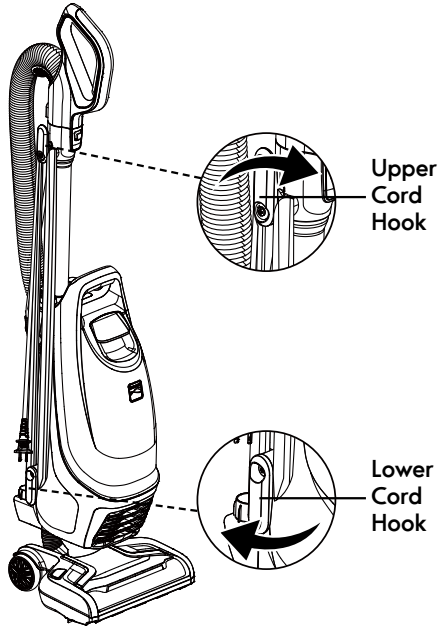


4. Insert the hose into body until you hear a 'click'.

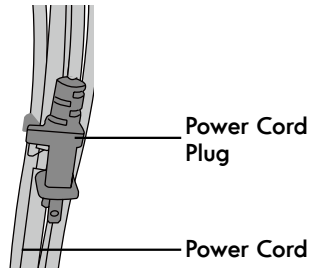


5. Make sure the upper and lower cord hooks are in the proper position as shown. Wrap the power cord loosely around the upper and lower cord hooks.

NOTE: Make sure to wrap the power cord around the upper cord hook first, and then around the lower cord hook to avoid damaging the power cord.



6. Lock power cord plug onto the power cord.



! WARNING

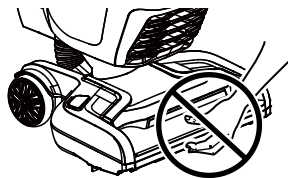
Electrical Shock and Personal Injury Hazard.

Wrapping the cord too tightly with excessive stress on the cord may cause cord damage. A damaged cord is an electrical shock hazard and could cause personal injury or damage.

OPERATING INSTRUCTIONS

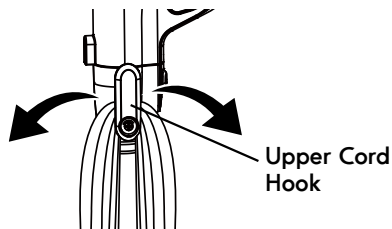
CAUTION

Moving parts! To reduce the risk of personal injury, DO NOT touch the brushroll when vacuum is on. Contacting the brushroll while it is rotating can cut, bruise or cause other injuries. Always turn off after operation. Use caution when operating near children or pets.



POWER CORD – RELEASE & USE

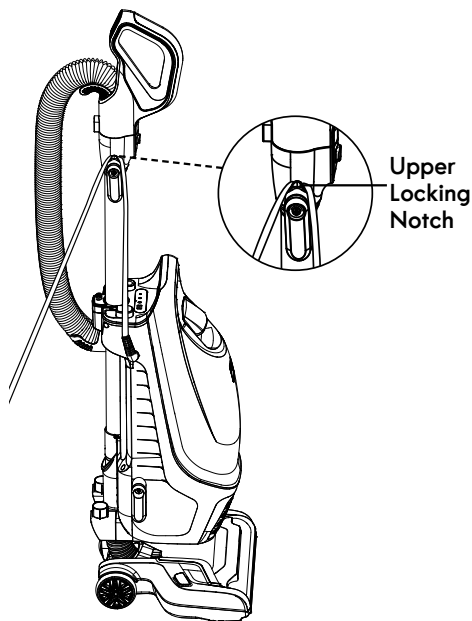
1. Turn the upper cord hook to either side and down to release the power cord.



WARNING

To reduce the risk of electric shock, this appliance has a polarized plug (one blade is wider than the other). This plug will fit in a polarized outlet only one way. If the plug does not fit fully in the outlet, reverse the plug. If it still does not fit, contact a qualified electrician to install the proper outlet. Do not change the plug in any way.

2. Detach the power cord plug from the power cord.
3. Be sure the power cord is locked into the upper locking notch as shown. This will help manage the power cord when operating the vacuum cleaner.



4. Plug the power cord plug into an outlet located near the floor.

POWER CORD - RELEASE & USE



WARNING

Personal Injury and Product Damage Hazard

- When any abnormality/failure occurs, stop using the product immediately and disconnect the power plug.
- **DO NOT** use outlets above counters. Damage from cord to items in surrounding area could occur.

5. Press the On/Off button to turn the vacuum cleaner on.
6. Once you have completed vacuuming, press the On/Off button; unplug the power cord plug from the outlet.

7. To restore power cord after use, turn upper cord hook to the upright position. Then wrap cord loosely around cord hooks.



WARNING

Electrical Shock and Personal Injury Hazard

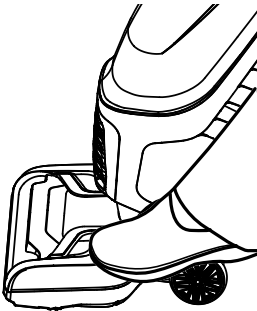
Wrapping the cord too tightly puts stress on the cord and can cause cord damage. A damaged cord is an electrical shock hazard and could cause personal injury or damage.

OPERATION MODES

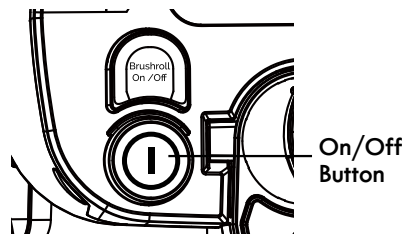
UPRIGHT MODE

NOTE: Make sure the vacuum cleaner is completely assembled. Do not operate vacuum cleaner without dust bag in place.

1. Release the handle by placing foot on the nozzle and pull back to change handle position.



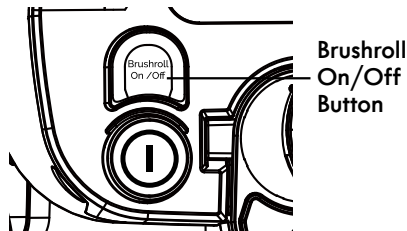
2. Turn on the vacuum cleaner by pressing the On/Off button for cleaning bare floor.



NOTE: Your vacuum cleaner has two cleaning modes: one dedicated for bare floor and one for carpets. The vacuum turns on in carpet cleaning mode, which means the brushroll is spinning. To switch to bare floor mode, simply press the Brushroll On/Off button to turn the brushroll off. We do not recommend vacuuming with the brushroll on when cleaning bare floors as this may damage your floor.

OPERATION MODES

- Press the Brushroll On/Off button for cleaning carpets.
- Once the vacuum is on, operate the vacuum cleaner by tilting the wand back towards you and the nozzle is flush with floor surface.



Brushroll On/Off Button

NOTE: The brushroll rotates when the vacuum cleaner is in this position.

NOTE: Brushroll does not rotate in either mode when handle is in fully upright position.



CAUTION

Do not allow the vacuum cleaner to remain in one spot for any length of time when the brushroll is turning. Damage to carpet may occur.

- Once you have completed vacuuming, press the On/Off button again and unplug the power cord from the power outlet.

NOTE: If the brushroll is turned on, first press the Brushroll On/Off button to stop the brushroll, and then press the On/Off button to turn off the vacuum.

BAG FILL LEVEL INDICATOR

As the dust bag fills with dirt and debris, an indicator near the wand can be used to estimate the level of bag fill. Once all LEDs are illuminated red, the bag should be replaced. See page 18-19 for the dust bag replacement instructions.

Bag Fill Level Indicator	Bag Fill Level
One LED light (furthest left), green continuous	Lights progressively illuminate to show the bag is filling.
Two LED lights, orange continuous	
Three LED lights, orange continuous	Replace the bag when all LED lights begin to illuminate red continuously.
Four LED lights, red continuous	



CAUTION

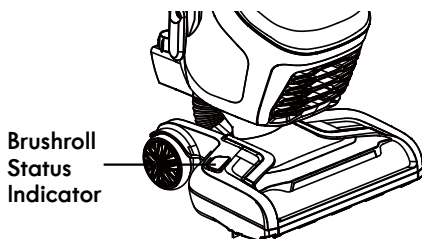
Make sure the dust bag is replaced when all LED lights begin to illuminate red continuously. If not, the LED lights will flash red. If the red flashing remains after replacing the dust bag, check and clean the air path as it is blocked.

Bag Fill Level

Empty ● ● ● ● Replace bag Full

BRUSHROLL STATUS INDICATOR

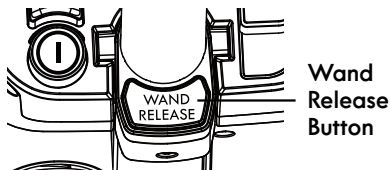
Brushroll Status Indicator	Status
Green LED Lights	The brushroll is spinning and working as it should.
Red LED Lights	There is a jam in the brushroll area. Turn off and unplug the vacuum, and remove any blockages in the nozzle.
No LED Lights	The brushroll is off.



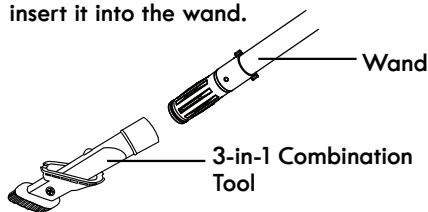
OPERATION MODES

ABOVE FLOOR MODE

1. Place the vacuum cleaner in the upright locked position.
2. Press the wand release button and lift up the wand for above floor cleaning.

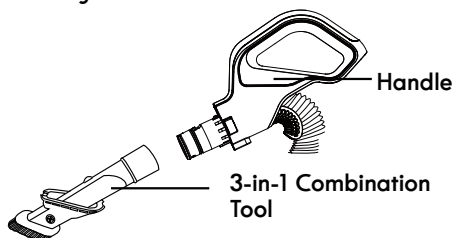


3. Choose the desired attachments and insert it into the wand.



4. Turn on the vacuum cleaner by pressing the On/Off Button.
5. Once you have completed vacuuming, press the On/Off button again and unplug the power cord from the power outlet.

NOTE: The attachments also can insert directly into the handle for above floor cleaning.



CAUTION

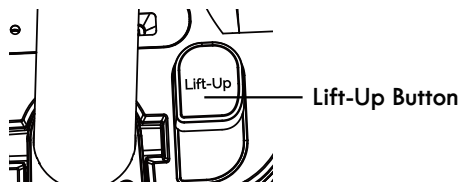
When using attachments, be careful not to over extend the stretch hose when reaching. Trying to reach beyond the hose stretch capability could cause the vacuum cleaner to tip over.

CAUTION

DO NOT pull the vacuum cleaner around the room by the hose. Property damage or personal injury could result.

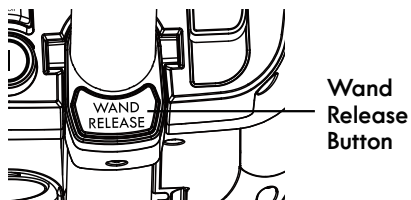
LIFT UP MODE

1. Place the vacuum cleaner in the upright locked position.
2. Press lift-up button and lift up the body for portable carry.



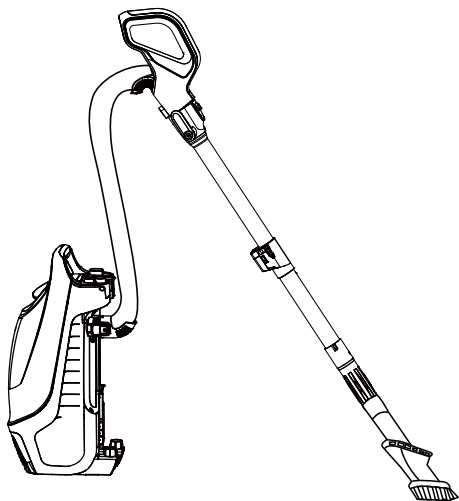
3. Press the wand release button and lift up the wand for cleaning stairs or other hard to reach places.

NOTE: Make sure the power cord is released from the cord hooks before lifting up the wand.



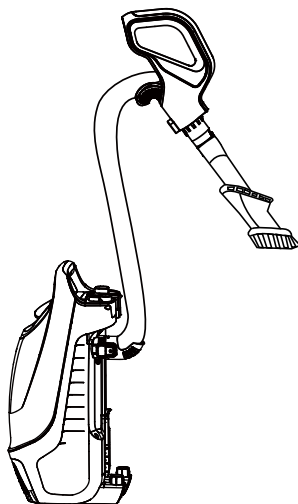
LIFT UP MODE

4. Choose the desired attachments and insert it into the wand.



5. Turn on the vacuum cleaner by pressing the On/Off Button.
6. Once you have completed vacuuming, press the On/Off button again and unplug the power cord from the power outlet.

NOTE: The attachments also can insert directly into the handle.



CAUTION

When using attachments, be careful not to over extend the stretch hose when reaching. Trying to reach beyond the hose stretch capability could cause the vacuum cleaner to tip over.

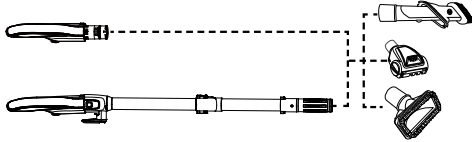
CAUTION

DO NOT pull the vacuum cleaner around the room by the hose. Property damage or personal injury could result.

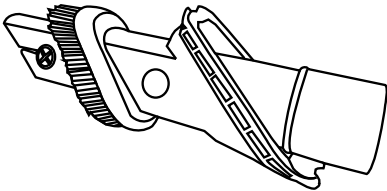
ATTACHMENTS

3-IN-1 COMBINATION TOOL

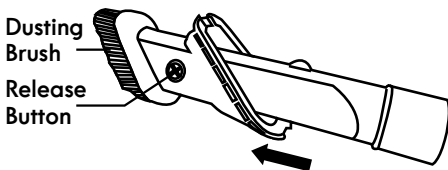
The 3-in-1 combination tool can be attached to the end of the wand and the handle. Slide the collar of the tool over the open end of the wand or handle.



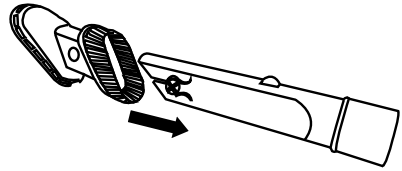
Use the 3-in-1 combination tool in crevice tool mode for cleaning in tight spaces such as furniture, between cushions, and stairs. See ATTACHMENT USE TABLE (page 15).



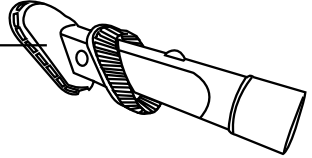
Set the combination tool in dusting brush mode by pressing the release button and sliding the dusting brush side of the brush tool to the end of the combination tool. Use in dusting brush mode for cleaning loose surfaces such as drapes. See ATTACHMENT USE TABLE (page 15).



Press the release button to remove the brush tool. Set the combination tool in upholstery brush mode as shown. Use in upholstery brush mode for cleaning fabric surfaces such as fabric sofa. See ATTACHMENT USE TABLE (page 15).



Upholstery
Brush

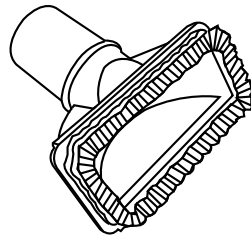


To return the combination tool to crevice tool mode, press the release button and slide the brush tool down the combination tool.

DUSTING BRUSH

The dusting brush can be attached to the end of the handle and the wand. Slide the collar of the brush into the open end of the hose or wand.

Use the dusting brush for cleaning loose surfaces such as drapes and furniture. See ATTACHMENT USE TABLE (page 15).



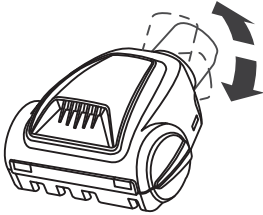
ATTACHMENTS

PET HANDIMATE®

The Pet HandiMate® can be attached to the end of the handle and the wand.

Pet HandiMate® pivots for more convenient cleaning.






Use Pet HandiMate® for cleaning fabric surfaces such as furniture and carpet. See ATTACHMENT USE TABLE (page 15).



CAUTION

Use attachments when the vacuum cleaner is upright.

ATTACHMENT USE TABLE

ATTACHMENT	CLEANING AREA						✓ = Applicable
	Furniture*	Between Cushions*	Drapes*	Stairs		Baseboards	
				Carpet	Bare		
CREVICE TOOL 	✓	✓		✓	✓	✓	
DUSTING BRUSH 	✓		✓	✓	✓	✓	
UPHOLSTERY BRUSH 	✓		✓				
DUSTING BRUSH 	✓		✓				
PET HANDIMATE® 	✓			✓			

*Always clean attachments before using on fabrics.

PERFORMANCE/SAFETY FEATURES

THERMAL PROTECTOR

This vacuum cleaner has a thermal protector which automatically trips to protect the vacuum cleaner suction motor. If a clog prevents the normal flow of air to the motor, the thermal protector turns the motor off automatically. This allows the motor to cool in order to prevent possible damage to the vacuum cleaner.

To reset thermal protector: Turn the vacuum cleaner off and unplug the power cord from the outlet to allow the vacuum cleaner to cool and the thermal protectors to reset.



CAUTION

Always return the vacuum cleaner to the upright position before using the hose and attachments. Failure to do so may result in overheating of the brushroll motor and can cause the thermal protectors to trip.

Check for and remove clogs, and replace dust bag if necessary. Also check and clean any clogged filters. Wait approximately 50 minutes before restarting vacuum cleaner.

BY-PASS VALVE

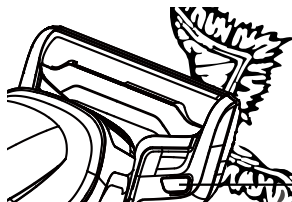
This vacuum cleaner has a By-Pass Valve which prevents motor overheating and damage. The valve opens to provide cooling air when a clog prevents normal air flow to the vacuum cleaner suction motor. You will notice a change of sound as air rushes through the valve opening.

To correct the problem: remove any clogs, check and replace filters if needed, check and install new dust bag if needed.

NOTE: The By-Pass Valve may open when using attachments or when cleaning new carpet due to reduced airflow or air path is blocked, caused by the attachments themselves or by new carpet lint filling the dust bag quickly.

BRUSHROLL RESET

The brushroll has built-in protection against motor damage should the brushroll jam. If the brushroll slows down or stops, the brushroll overload protector shuts off the brushroll motor and the brushroll status indicator emits red light. The vacuum cleaner suction motor will continue to run.



Brushroll Status Indicator

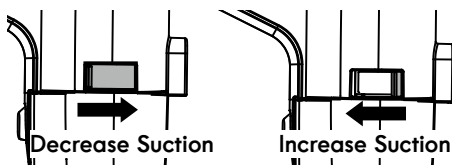
To solve the problem: Turn off and unplug vacuum cleaner, remove obstruction, then turn on the vacuum cleaner.

NOTE: Once the brushroll motor shuts down, clear jam from brushroll and then restart the vacuum cleaner. If the problem persists, contact the vacuum cleaner help line for assistance.

SUCTION CONTROL

To assist with push/pull force of the vacuum on surfaces like thick carpet, the suction control valve can be opened to help reduce suction. Note that for best cleaning results, the suction control valve must be fully closed.

- Slide to right to open the suction control and decrease suction. Opening control decreases suction for draperies and lightweight rugs.
- Slide to left to close the suction control and increase suction. Closing control increases suction for upholstery and carpets.



VACUUM MAINTENANCE AND CARE

Always follow all safety precautions when performing maintenance to the vacuum cleaner.

WARNING

Electrical Shock and Personal Injury Hazard

Disconnect electrical supply before servicing or cleaning the vacuum cleaner. Failure to do so could result in electrical shock or personal injury from vacuum cleaner suddenly starting.

CLEANING EXTERIOR AND ATTACHMENTS

1. Turn off and unplug vacuum cleaner. DO NOT drip water on vacuum cleaner.
2. To clean exterior, or to reduce static electricity and dust build-up, wipe outer surface with a clean, soft cloth that has been dipped in a solution of mild liquid detergent and water, then wrung dry. Wipe dry after cleaning.

NOTE: Wash attachments in warm soapy water, rinse and air dry. Do not clean in dishwasher.

CAUTION

Do not use attachments if they are wet. Attachments used in dirty areas, such as under a refrigerator, should not be used on other surfaces until they are washed. They could leave marks.

VACUUM CLEANER STORAGE

WARNING

Electrical Shock and Personal Injury Hazard

Wrapping the cord too tightly puts stress on the cord and can cause cord damage. A damaged cord is an electrical shock hazard and could cause personal injury or damage.

1. Place the flexible hose and attachments in storage position if necessary (see page 7 & 8).
2. Gather the cord and wrap it loosely around the upper and lower cord hooks. Lock plug retainer onto the power cord. See page 8.
3. Store the vacuum cleaner in a dry, indoor area, on the floor with the handle locked in the upright position.

DUST BAG REPLACEMENT

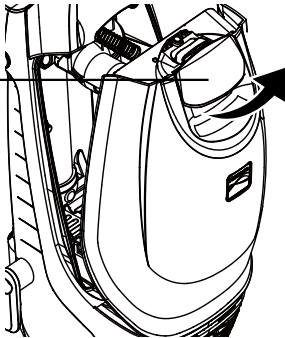


WARNING

Always unplug power cord from electrical outlet before performing any service on vacuum cleaner.

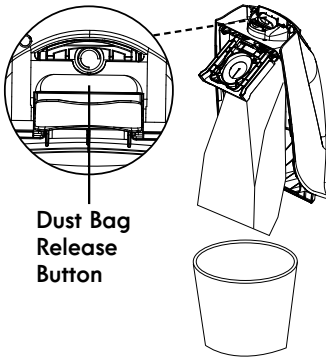
1. Pull bag chamber cover release handle out and up, hold the cover using the handle.

Dust Bag Chamber Cover Release

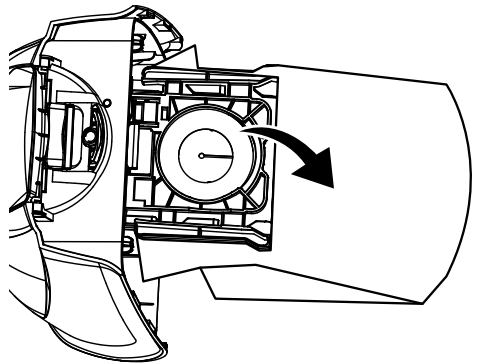
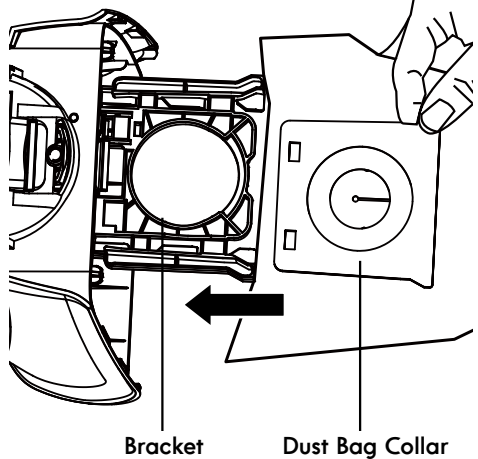


NOTE: Do not press the dust bag release button when release bag chamber cover, or the dust bag will drop down automatically.

2. Tilt the bag chamber as shown. Press Dust Bag Release button and the dust bag drops down automatically.



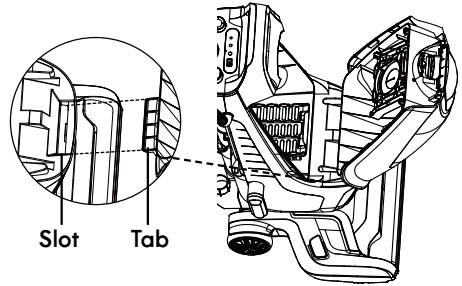
3. To install a new dust bag, insert the dust bag collar into bracket until you hear a 'click', and then rotate bracket down until another 'click' can be heard. Tuck the bag into the dust bag chamber. Be sure all sides of the dust bag are flat within the bag chamber.



DUST BAG REPLACEMENT

- Place the tab on the dust bag chamber cover in the slot on the vacuum cleaner. Push the dust bag chamber cover into place until a 'click' is heard.

NOTE: Make sure the dust bag is locked into place before pushing the dust bag chamber cover. The dust bag chamber cover can't be assembled successfully if dust bag is missing or not installed into place.



FOAM FILTER CLEANING



WARNING

Electrical Shock Hazard

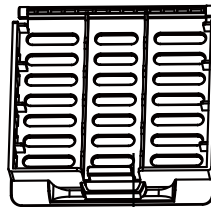
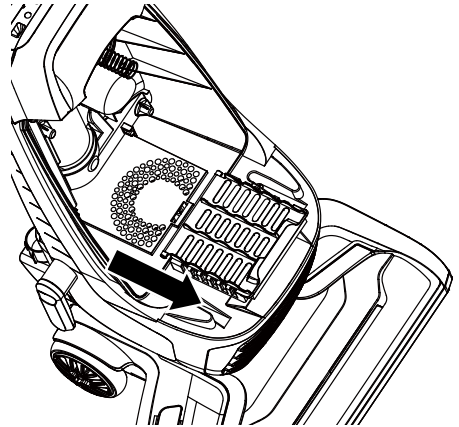
Unplug power cord from electrical outlet. Do not operate the vacuum cleaner without the foam filter. Be sure the filter is dry and properly installed to prevent motor failure and/or electrical shock.

Clean the foam filter with cold water as needed.

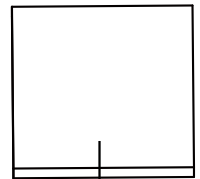
NOTE: When the cleaning of filters no longer restores vacuum cleaner suction to full power, or the filters are worn or broken, replace the filters. To purchase filters, call 1-844-608-3080.

Regularly clean and replace the filters to keep the vacuum's suction power optimal.

- Remove the dust bag as outlined in the DUST BAG REPLACEMENT section (page 18-19).
- Remove the foam filter cover and the foam filter.



Foam Filter Cover



Foam Filter

FOAM FILTER CLEANING

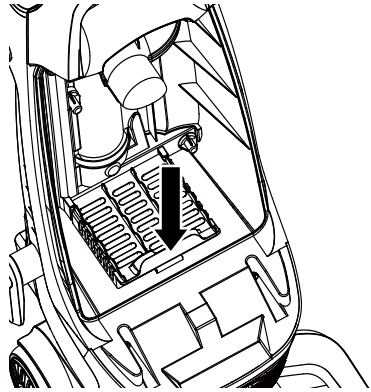
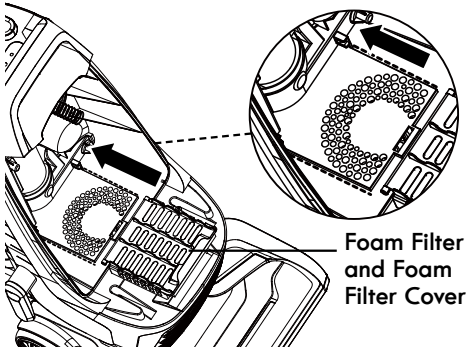
3. Wash the filter in warm soapy water, rinse and dry thoroughly by squeezing the excess water out of the filter and allowing to air dry for 24 hours.

NOTE: DO NOT operate without foam filter installed.

DO NOT wash in the dishwasher.

DO NOT install foam filter if damp.

4. Reinstall the foam filter into the foam filter cover and slide it to the slots until it is in place. Press the cover to lock it into place until a 'click' can be heard.



NOTE: Replace the foam filter if it is worn or broken.

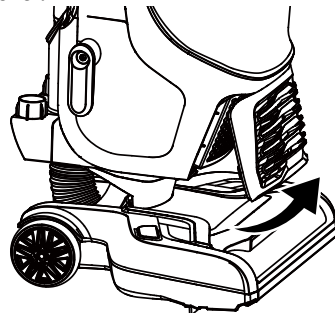
5. Reinstall the dust bag as outlined in the DUST BAG REPLACEMENT section (page 18-19).

HEPA MEDIA EXHAUST FILTER CLEANING

It is recommended to clean the HEPA media exhaust filter with cold water every year.

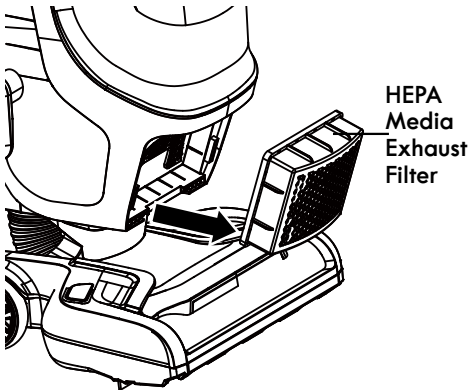
NOTE: When the cleaning of the filter no longer restores vacuum cleaner suction to full power, or the filter is worn or broken, replace the exhaust filter. To purchase the exhaust filter, call 1-844-608-3080.

1. Remove exhaust filter cover by pulling the tab outward at the bottom of the cover.



HEPA MEDIA EXHAUST FILTER CLEANING

2. Remove the HEPA media exhaust filter from vacuum cleaner.



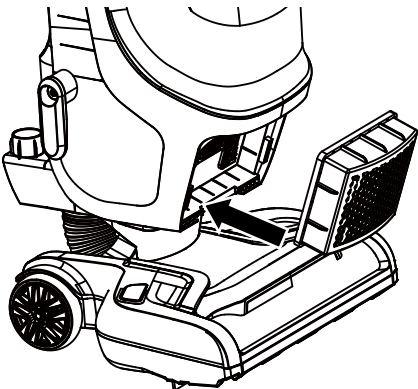
3. Wash with cold water only, DO NOT use detergent or soap. Allow to air dry. Allow parts to dry 24 hours before putting back into vacuum cleaner.

NOTE: DO NOT operate without post-motor filter installed.

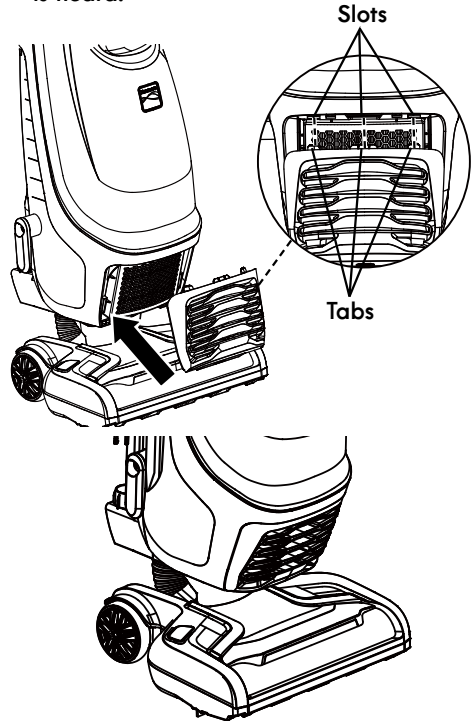
DO NOT wash in the dishwasher.

DO NOT install the filter if damp.

4. Reinstall the HEPA media exhaust filter into the vacuum cleaner.



5. Insert the exhaust filter cover tabs into the upper slots and lock the exhaust filter cover into place by pressing the release tab under the cover until a click is heard.



NOTE: Make sure the exhaust filter cover is properly installed.

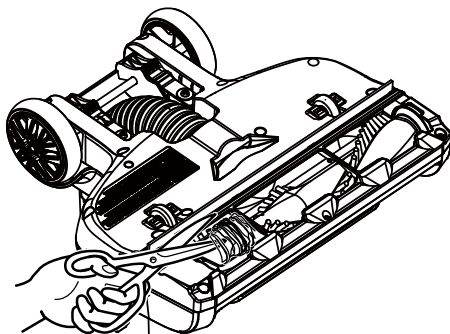
BRUSHROLL CLEANING



WARNING

Always unplug the power cord from an electrical outlet before performing maintenance to the vacuum cleaner.

To maintain efficient cleaning, the brushroll must be kept free of carpet fiber, string, or hair build-up. If the brushroll is jammed, unplug and turn vacuum cleaner over and check brushroll for fiber and hair build-up. Use scissors to remove any build-up entangled around the brushroll. Cleaning the brushroll periodically is recommended for best performance.



PET HANDIMATE® CLEANING



WARNING

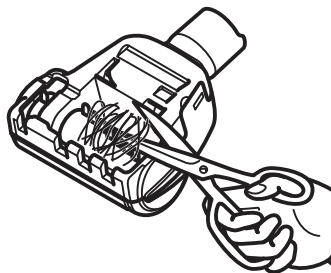
Always unplug the power cord from an electrical outlet before performing maintenance to the vacuum cleaner.

Cut off any carpet pile and lint entangled around brushroll with a pair of scissors.



CAUTION

To reduce the risk of injury from moving parts, remove Pet HandiMate® from vacuum hose or wand before servicing.



REMOVING CLOGS



WARNING

Disconnect electrical supply before removing clogs. Failure to do so could result in electrical shock or personal injury.

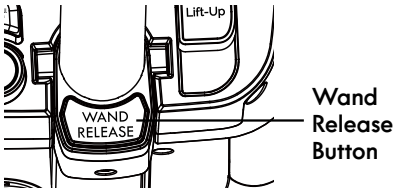
CHECKING FLEXIBLE HOSE FOR CLOGS

If there is noticeable abnormal noise when using the vacuum or the suction power suddenly drops, it is necessary to check the air path for clogs.

Frequently check air path to make sure it is free of obstructions.

NOTE: The four LED lights of bag fill level indicator flash red when the air path is blocked.

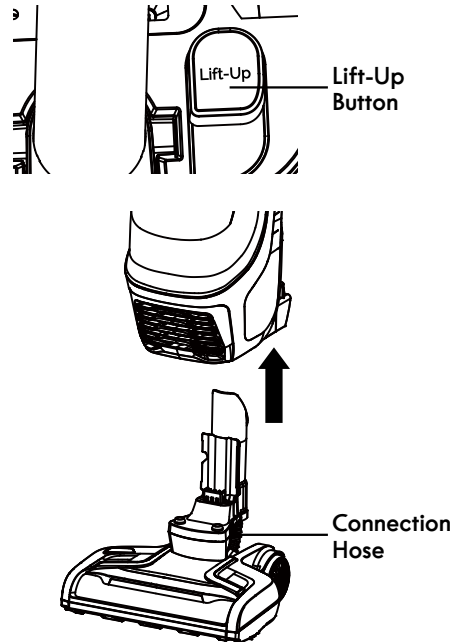
1. Release the wand from the body and make sure that attachments are removed from the wand.



2. Check and remove any clogs in the flexible hose and wand.
3. Reinstall the wand to the vacuum cleaner. See ASSEMBLY (page 7).

CHECKING CONNECTION HOSE FOR CLOGS

To separate the body from the nozzle, press the Lift-Up button and lift up the body.



1. Check and remove any clogs in the connection hose.
2. Reattach the nozzle onto the vacuum body.

TROUBLESHOOTING

Review this table to find do-it-yourself solutions for minor performance problems. Any service needed, other than maintenance described in this Use & Care Guide, should be performed by a qualified service agent.



WARNING

Disconnect electrical supply before performing maintenance to the vacuum cleaner. Failure to do so could result in electrical shock or personal injury.

PROBLEM	POSSIBLE CAUSE	SOLUTION
Vacuum cleaner won't run.	Unplugged at wall outlet.	Plug in firmly, press the On/Off button.
	The On/Off button is not pressed to start the vacuum cleaner.	Press the On/Off button to start the vacuum cleaner.
	Defective wall outlet.	Check with a good appliance or lamp. Have outlet properly serviced.
	The vacuum body is overheated.	Unplug the power cord and let the vacuum cool down for 50 minutes.
	The motor is damaged.	Call 1-844-608-3080 for assistance.
Poor job of dirt pick-up.	The hose and attachments are not installed correctly.	Check the hose and attachments for correct installation and ensure they are snapped firmly in place.
	Dust bag is not installed correctly.	Check dust bag for correct installation and ensure it is snapped firmly in place.
	Full or clogged dust bag.	Change the dust bag (page 18-19).
	There is a clog in the air path.	Check and remove all clogs. Follow instructions on page 23.
	Suction control is in open position.	Adjust the suction control to increase suction. Follow instructions on page 16.
	The foam filter or HEPA media exhaust filter needs to be cleaned or replaced.	Clean or replace the foam filter or HEPA media exhaust filter. Follow the foam filter cleaning or HEPA media exhaust filter cleaning instructions on page 19-20 or 20-21.
	The hose is worn.	Replace the hose assembly. To purchase parts, call 1-844-608-3080.
	The brushroll is worn.	Call 1-844-608-3080 for assistance.
The belt is worn or broken.	Call 1-844-608-3080 for assistance.	

TROUBLESHOOTING

Dust escapes from vacuum.	Dust bag or dust bag chamber cover is not installed correctly.	Check the dust bag or dust bag chamber cover for correct installation and ensure they are snapped firmly in place. Follow instructions on page 18-19.
	HEPA media exhaust filter is installed incorrectly.	Check exhaust filter for correct installation. Follow instructions on page 20-21.
	The dust bag is worn or broken.	Check and replace the dust bag.
	Foam filter or HEPA media exhaust filter is worn or broken.	Check and replace the foam filter or the HEPA media exhaust filter.
Brushroll does not turn.	Handle is in fully upright position.	Move handle from the fully upright position.
	Brushroll On/Off button is not pressed to start the brushroll.	Press the Brushroll On/Off button to start the brushroll.
	Brushroll is jammed.	Remove obstruction. Follow instructions on page 22.
	Brushroll is not installed correctly.	Call 1-844-608-3080 for assistance.
	The belt is not routed correctly.	Call 1-844-608-3080 for assistance.
	Fault in PCB section of the motorized nozzle.	Call 1-844-608-3080 for assistance.
Sound changes.	Exhaust filter cover is installed incorrectly.	Position exhaust filter cover correctly and snap firmly into place. Follow instructions on page 21.
	Air path is blocked.	Check for and remove any clogs and clean the air path. Follow instructions on page 23.
	Attachments use restricts air flow.	Check attachments for fuzz, lint, pet hair or other debris.
Vacuum turns off on its own.	The power cord plug is loose from the outlet when using the vacuum.	Reinsert the power cord plug fully into the outlet. Avoid pulling or dragging the power cord when using the vacuum.
	Thermal protector is activated.	Turn the vacuum cleaner off and unplug it. Check the air path and dust bag. Allow the vacuum cleaner to cool for a minimum of 50 minutes. Plug in vacuum and turn it on.
	The motor is damaged.	Call 1-844-608-3080 for assistance.
Brushroll status indicator light emits red.	There is a jam in the brushroll area.	Turn off and unplug the vacuum. Remove any blockages in the brushroll. See page 22.
	The brushroll is worn or broken.	Call 1-844-608-3080 for assistance.
Dust bag chamber cover can't be installed.	Dust bag is missing or not installed into place.	Position dust bag correctly and snap firmly into place. Follow instructions on page 18-19.

TABLA DE CONTENIDOS

Antes de usar su nueva aspiradora.....	1
Lista de piezas incluidas	1
Instrucciones de seguridad importantes.....	2-3
Garantía de la aspiradora Kenmore	4
Piezas y características	5
Instrucciones de ensamblaje.....	6-7
Instrucciones de uso	8-14
Desempeño/características de seguridad.....	15
Mantenimiento y cuidado de la aspiradora.....	16-22
Resolución de problemas.....	23-25

ANTES DE USAR SU NUEVA ASPIRADORA

Lea esta guía de uso y cuidado. Lo ayudará a ensamblar y operar su nueva aspiradora Kenmore de la manera más segura y efectiva posible.

Para obtener más información sobre los cuidados y el funcionamiento de la aspiradora, llame a la línea de ayuda de la aspiradora al 1-844-608-3080. Necesitará el modelo completo y los números de serie al solicitar información.

El modelo de su aspiradora y los números de serie se ubican en la placa de modelo y número de serie. Use el siguiente espacio para registrar el número de modelo y el número de serie de su nueva aspiradora Kenmore.

N° de modelo _____

N° de serie _____

Fecha de compra _____

Guarde este libro y su boleta (recibo) de venta en un lugar seguro para usarlos como referencia a futuro.

LISTA DE PIEZAS INCLUIDAS

Su ASPIRADORA CON BOLSA KENMORE INTUITION[®] incluye las siguientes piezas y componentes ya ensamblados por separado en la caja:

- | | |
|-------------------------|------------------------------|
| 1 Aspiradora vertical | 1 Empuñadura |
| 1 Herramienta combinada | 1 Vara |
| 1 Manguera flexible | 1 Guía de uso y cuidado |
| 1 Cepillo para sacudir | 1 Pet HandiMate [®] |

INSTRUCCIONES DE SEGURIDAD IMPORTANTES

Lea todas las instrucciones de esta guía antes de ensamblar o usar su aspiradora.

ADVERTENCIA

Su seguridad es importante para nosotros. Para reducir el riesgo de incendio, descarga eléctrica, lesiones a personas o daños al utilizar su aspiradora, siga las precauciones de seguridad básicas, incluidas las siguientes:

- Utilice solo su aspiradora solo como se indica en esta guía de uso y cuidado. Utilice solo los accesorios recomendados por el fabricante.
- Desconecte del suministro eléctrico antes de limpiar la zona del cepillo de rodillo. No hacerlo podría provocar que el cepillo de rodillo se encienda inesperadamente, provocando lesiones personales mediante las piezas móviles.
- No deje la aspiradora sin supervisión en caso de que esté conectada. Desconéctela del tomacorriente cuando no esté en uso y antes de realizarle mantenimiento.
- Para reducir el riesgo de descarga eléctrica, no utilice el producto en exteriores ni sobre superficies mojadas.
- No permita que se utilice como un juguete. Se debe prestar estricta atención cuando el aparato lo usen niños o cuando se use cerca de ellos.
- No utilizar si la clavija o cable están dañados. Si la aspiradora no funciona como debería, si se ha caído, dañado, quedado en exteriores o si se ha caído al agua, llame al 1-844-608-3080 para obtener ayuda.
- No tire o transporte el aparato utilizando el cable como a modo de asa, no apriete el cable al cerrar puertas ni pase el cable cerca de bordes afilados o esquinas. No use la aspiradora sobre su cable. Mantenga el cable alejado de superficies calientes.
- No desconecte tirando del cable. Para desconectarlo tire de la clavija, no del cable.
- No manipule la clavija o la aspiradora con las manos mojadas.
- No ponga objetos sobre las aberturas.
- No lo utilice si las aberturas están bloqueadas; tenga cuidado que no haya polvo, cabellos, pelusas en las aberturas o cualquier cosa que pueda reducir el flujo de aire.
- Mantenga su cabello, ropas holgadas, dedos y partes de su cuerpo lejos de las aberturas y piezas móviles del producto.
- Apague todos los controles antes de desconectar el dispositivo.
- Tenga precaución adicional al limpiar en escaleras.
- No la ponga sobre sillas, mesas, etc. Manténgala sobre el piso.
- No utilice la aspiradora para aspirar líquidos inflamables o combustibles (gasolina, líquidos de limpieza, perfumes, etc.) ni tampoco la utilice en lugares donde tales líquidos puedan estar presentes. Los gases de esas sustancias pueden crear un peligro de incendio o explosión.
- No aspire elementos que estén en llamas o humeando, tales como cigarrillos, fósforos o cenizas calientes.
- No use la aspiradora sin el contenedor de polvo ni filtros instalados.
- Reinstale siempre la bolsa de polvo después de aspirar limpiadores o

IMPORTANT SAFETY INSTRUCTIONS

aromatizantes de alfombras, polvo y polvillo fino. Estos productos se pegan a los filtros, reducen el caudal de aire y pueden provocar daños a la aspiradora. No reinstalar la bolsa de polvo podría causar daños permanentes a la aspiradora.

- No use la aspiradora para aspirar objetos afilados, juguetes pequeños, alfileres, sujetapapeles, etc., ya que podría dañar la aspiradora o la bolsa de polvo.
- Usted es responsable de asegurarse de que nadie capacitado para usar su aspiradora la utilice.

ADVERTENCIA

Este producto contiene un químico que, bajo los antecedentes que maneja el estado de California, puede provocar cáncer y defectos congénitos u otro daño reproductivo.

GUARDE ESTAS INSTRUCCIONES

El correcto ensamblaje y el uso seguro de su aspiradora son su responsabilidad. Su aspiradora está hecha sólo para uso doméstico. Lea esta guía de uso y cuidado para obtener información importante sobre uso y seguridad. Esta guía contiene afirmaciones de seguridad bajo símbolos de advertencia y precaución.

GARANTÍA DE LA ASPIRADORA KENMORE

Si compró el producto en Sears, Kmart o Sears Hometown:

GARANTÍA LIMITADA KENMORE

DURANTE CINCO AÑOS a contar de la fecha de venta, este producto está garantizado contra defectos en sus materiales o fabricación cuando se ensambla, opera y mantiene siguiendo todas las instrucciones proporcionadas.

Un producto defectuoso puede reemplazarse por uno nuevo, de manera gratuita, considerando que se presente una **PRUEBA DE VENTA**.

Para conocer la cobertura de la garantía y obtener un reemplazo gratuito, visite el sitio Web:

www.kenmore.com/warranty

Esta garantía no cubre los filtros ni correas, las cuales son piezas desechables que pueden desgastarse debido al uso normal dentro del periodo de garantía.

Esta garantía queda nula si el producto llega a usarse para algún propósito que no sea el uso privado doméstico.

Esta garantía le entrega derechos legales específicos que pueden variar según su estado (podría tener otros derechos adicionales).

Transform SR Brands Management LLC, Hoffman Estates, IL 60179

Si compró el producto en un minorista Sears, Kmart o Sears Hometown:

GARANTÍA LIMITADA KENMORE

DURANTE CINCO AÑOS a contar de la fecha de venta, este producto está garantizado contra defectos en sus materiales o fabricación.

Un producto defectuoso puede reemplazarse por uno nuevo, de manera gratuita, considerando que se presente una **PRUEBA DE VENTA**.

La marca Kenmore se utiliza bajo licencia. Dirija sus reclamaciones de garantía a: Cleva North America, Inc., 1-844-608-3080

Esta garantía no cubre los filtros ni correas, las cuales son piezas desechables que pueden desgastarse debido al uso normal dentro del periodo de garantía.

Esta garantía queda nula si el producto llega a usarse para algún propósito que no sea el uso privado doméstico. Esta garantía le entrega derechos legales específicos que pueden variar según su estado (podría tener otros derechos adicionales).

Cleva North America, Inc., Greenville SC 29607

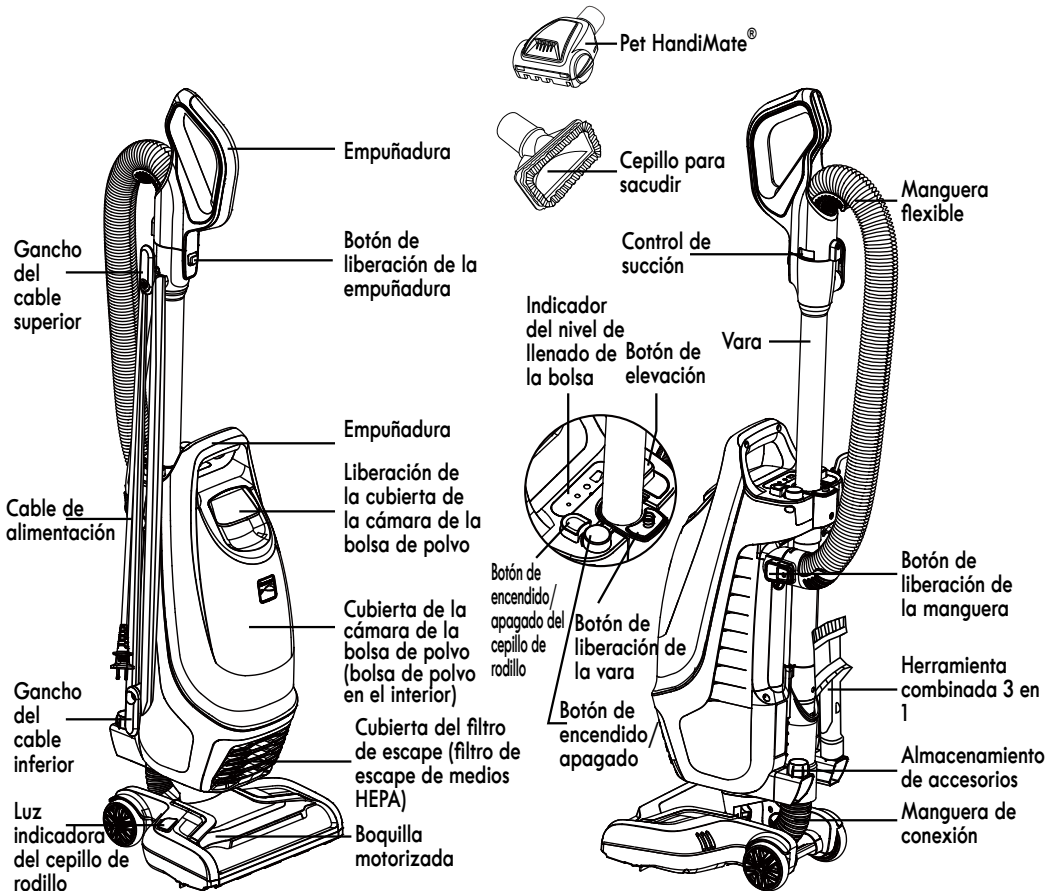
PIEZAS Y CARACTERÍSTICAS

Es importante conocer las partes y características de su aspiradora para garantizar su uso adecuado y seguro. Revise estas indicaciones antes de usar su aspiradora.

PIEZAS DE REPUESTO

Artículo	N° de pieza
Filtro de espuma	561060125
Filtro de escape de medios HEPA	561055118
Herramienta combinada 3 en 1	561055134
Cepillo para sacudir	561016200
Pet HandiMate®	561014106
Bolsa para polvo (paquete de 6)	IB600
Varas de extensión	561060175
Manguera flexible (con empuñadura)	561060172

Para solicitar una pieza de repuesto, llame al 1-844-608-3080.



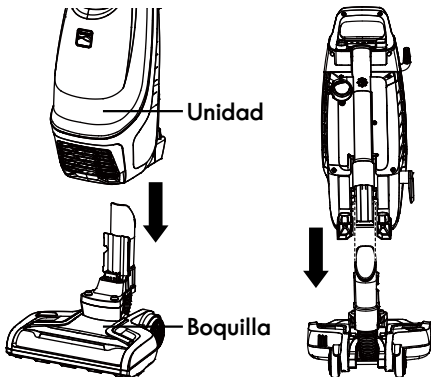


Preste especial atención a estos cuadros de alerta de peligro y siga todas las instrucciones indicadas. Las declaraciones de **ADVERTENCIA** lo alertan sobre riesgos tales como incendio, descarga eléctrica, quemaduras y lesiones personales. Las declaraciones de **PRECAUCIÓN** lo alertan sobre riesgos tales como lesiones personales o daño a la propiedad.

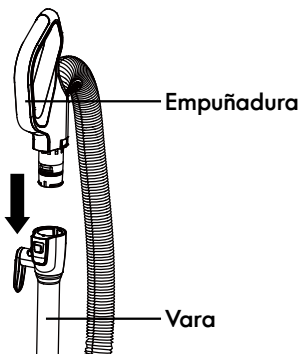
INSTRUCCIONES DE ENSAMBLAJE

Antes de armar la aspiradora, revise la **LISTA DE PIEZAS INCLUIDAS** (página 2). Utilice esta lista para comprobar que ha recibido todos los componentes de su nueva aspiradora vertical con bolsa Kenmore Intuition®.

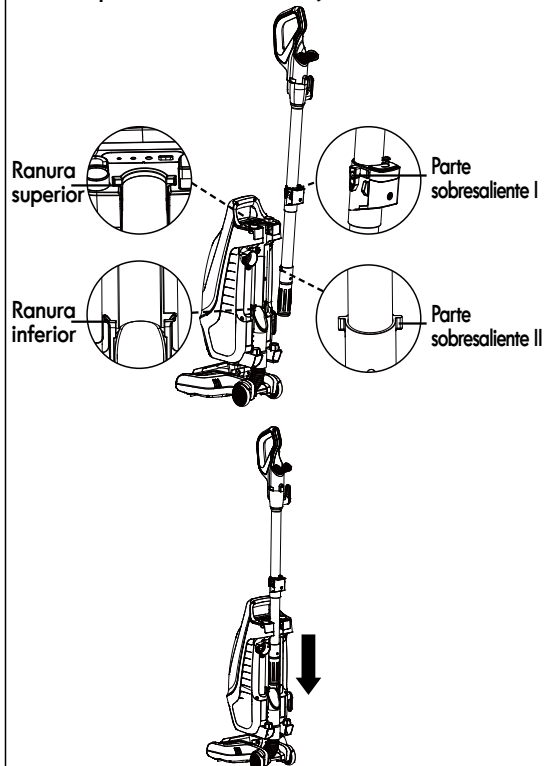
1. Para colocar la unidad en la boquilla, colóquela sobre la boquilla y alinee el cuello de la boquilla con las guías de la unidad y déjela caer lentamente hasta escuchar un "clic".



2. Inserte la empuñadura hacia la vara hasta escuchar un "clic".

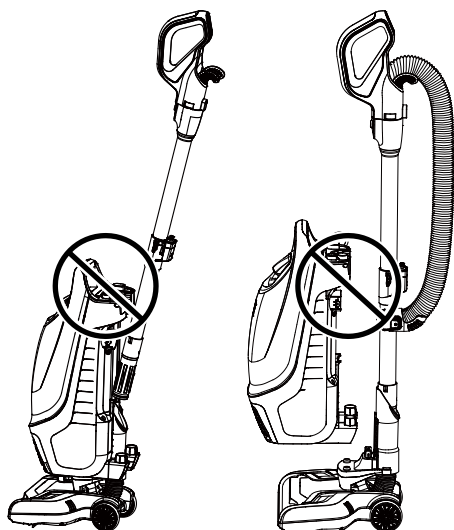


3. Coloque la vara paralela a la unidad, asegurándose de que la parte sobresaliente esté bajo la ranura superior como se indica. Luego, presione la vara hacia la unidad e insértela hacia abajo, hacia el cuello de la boquilla. Asegúrese de que la parte sobresaliente I queda fijada hacia la ranura superior y la parte sobresaliente II hacia la ranura inferior. Escuchará un "clic" al haber completado el ensamblaje de la vara.

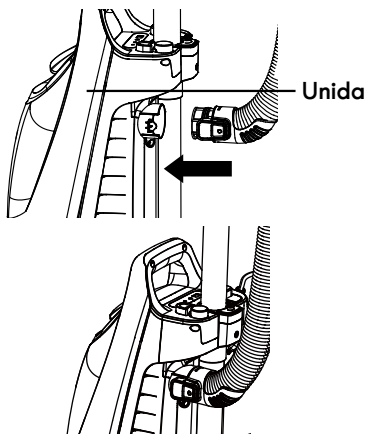


INSTRUCCIONES DE ENSAMBLAJE

NOTA: NO incline la vara para insertarla hacia el cuello de la boquilla. NO inserte la vara antes de colocar la unidad en la boquilla.

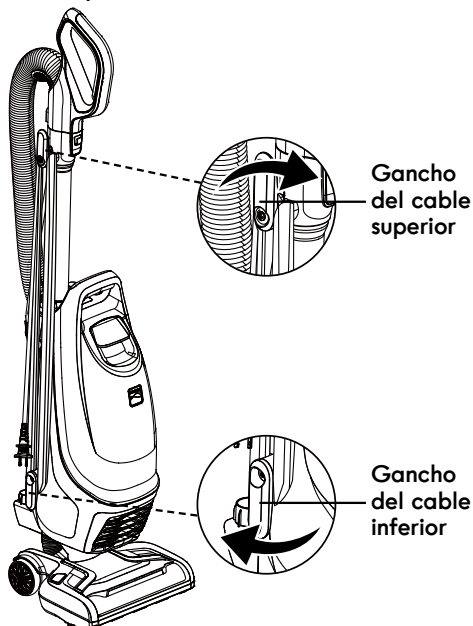


4. Inserte la manguera hacia la unidad hasta escuchar un "clic".

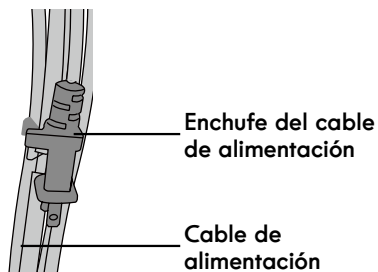


5. Asegúrese de que los ganchos superior e inferior del cable estén en la posición correcta como se indica. Envuelva el cable de alimentación sin apretar alrededor de los ganchos del cable superior e inferior.

NOTA: asegúrese de enrollar el cable de alimentación en el gancho superior primero y, luego, alrededor del gancho inferior para así evitar dañar el cable.



6. Fije la clavija del cable de alimentación en el cable de alimentación.



ADVERTENCIA

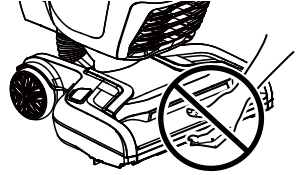
riesgo de descarga eléctrica y lesiones personales.

Enrollar el cable demasiado firme y con tensión excesiva puede provocar daños. Un cable dañado representa un peligro de descarga eléctrica y podría causar lesiones a las personas o daños.

INSTRUCCIONES DE USO

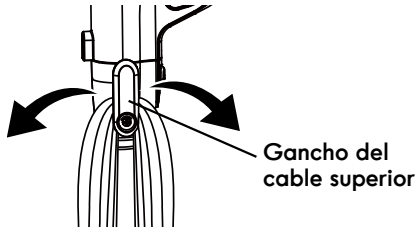
PRECAUCIÓN

¡Piezas móviles! Para reducir el riesgo de lesiones personales, **NO** toque el cepillo de rodillo mientras la aspiradora esté encendida. Tocar el cable de rodillo mientras está girando puede cortar, golpear o provocar otras lesiones. Apague siempre después de usar. Tenga cuidado al usarlo cerca de niños o mascotas.



CABLE DE ALIMENTACIÓN: LIBERACIÓN Y USO

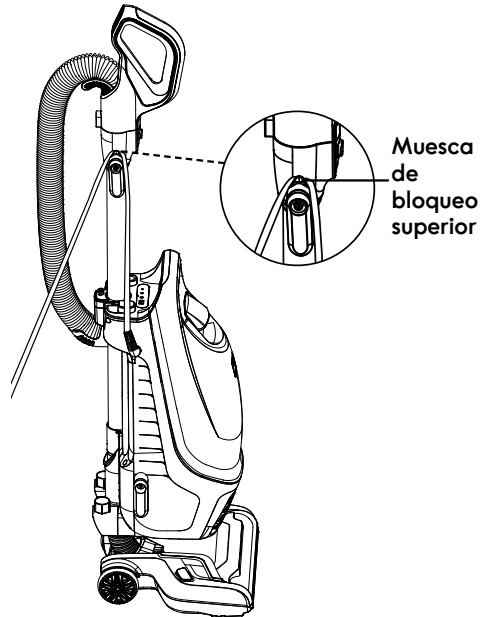
1. Gire el gancho superior del cable hacia cualquier lado y abajo para liberar el cable de alimentación.



ADVERTENCIA

Para reducir el riesgo de descarga eléctrica, este electrodoméstico posee una clavija polarizada (una punta es más ancha que la otra). Esta clavija calzará en la toma de corriente de pared polarizado solo en una posición. Si la clavija no entra completamente en la toma de corriente, póngala al revés. Si aún no calza, contacte a un técnico electricista calificado que pueda ayudarle a instalar la toma de corriente indicado. No modifique la clavija de ningún modo.

2. Separe la clavija del cable de alimentación.
3. Asegúrese de que el cable de alimentación esté bloqueado en la muesca de bloqueo superior como se indica. Esto ayudará a controlar el cable de alimentación mientras se está usando la aspiradora.



4. Enchufe el cable de alimentación a un tomacorriente que se encuentre cerca del piso.

CABLE DE ALIMENTACIÓN: LIBERACIÓN Y USO



ADVERTENCIA

riesgo de daños al producto y lesiones personales

- Cuando ocurra una anomalía/falla, deje de usar el producto inmediatamente y desconecte la clavija.
- **NO** utilice tomacorrientes que estén sobre mesones o mesas. El cable podría dañar algunos artículos o al área circundante.

5. Presione el botón de encendido/apagado para encender la aspiradora.
6. Cuando haya terminado de aspirar, presione el botón de encendido/apagado y desconecte la clavija de la toma de corriente.

7. Para restablecer el cable después del uso, coloque el gancho superior del cable en posición recta. Luego, enrolle el cable con holgura en los ganchos.



ADVERTENCIA

riesgo de descarga eléctrica y lesiones personales

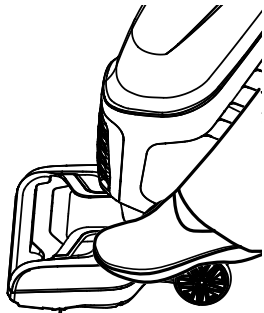
Enrollar el cable demasiado firme aplica tensión sobre el mismo y puede provocar daños. Un cable dañado es un peligro de descarga eléctrica y podría provocar lesiones personales o daños.

MODOS DE FUNCIONAMIENTO

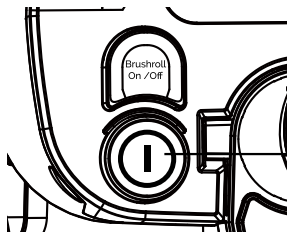
MODO RECTO

NOTA: asegúrese de que la aspiradora esté completamente ensamblada. No use la aspiradora sin la bolsa de polvo instalada.

1. Suelte la empuñadura colocando el pie sobre la boquilla y tire para cambiar la posición de la empuñadura.



2. Para limpiar pisos lisos, encienda la aspiradora presionando el botón de encendido/apagado.



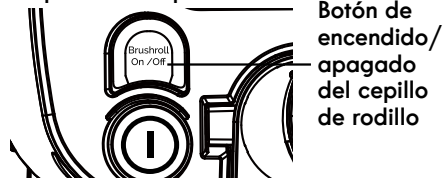
Botón de encendido/apagado

NOTA: seleccione el modo recto al usar esta aspiradora. No presione el botón de encendido/apagado del cepillo de rodillo al limpiar pisos lisos ya que, de lo contrario, podría dañar el piso.

MODOS DE FUNCIONAMIENTO

3. Para limpiar alfombras, presione el botón de encendido/apagado del cepillo de rodillo.

4. Cuando la aspiradora esté encendida, úsela inclinando la vara hacia usted y dejando la boquilla pareja a la superficie del piso.



Botón de encendido/apagado del cepillo de rodillo

NOTA: el cepillo de rodillo gira cuando la aspiradora está en esta posición.

NOTA: el cepillo de rodillo no gira en ningún modo si la empuñadura está en posición completamente recta.



PRECAUCIÓN

No deje la aspiradora en un solo lugar por ninguna cantidad de tiempo mientras el cepillo de rodillo esté encendido. Podría dañar la alfombra.

5. Tras haber terminado de aspirar, vuelva a presionar el botón de encendido/apagado y desconecte el cable de alimentación de la toma de corriente.

NOTA: si el cepillo de rodillo está encendido, primero presione el botón de encendido/apagado del cepillo de rodillo para detenerlo y luego presione el botón de encendido/apagado para apagar la aspiradora.

INDICADOR DEL NIVEL DE LLENADO DE LA BOLSA

A medida que la bolsa de polvo se llene con suciedad y sedimentos, se puede utilizar el indicador cerca de la vara sirve para estimar el nivel de llenado de la bolsa. La bolsa se debe cambiar cuando todos los LED estén encendidos de color rojo. Consulte la página 18-19 para ver las instrucciones de cambio de la bolsa de polvo.

Indicador del nivel de llenado de la bolsa	Nivel de llenado de la bolsa
Una luz LED (la que está más a la izquierda), verde continuo	Las luces se iluminan progresivamente para mostrar que la bolsa se está llenando. La bolsa se debe cambiar cuando todos los LED estén encendidos de color rojo.
Dos luces LED, naranja continuo	
Tres luces LED, naranja continuo	
Cuatro luces LED, rojo continuo	



PRECAUCIÓN

La bolsa se debe cambiar cuando todos los LED estén encendidos de color rojo continuo. Si no, todos los LED estén encendidos de color rojo. si la luz sigue parpadeando de color rojo después de reemplazar la bolsa de polvo, revise y limpie la vía aérea ya que está bloqueada.

Bag Fill Level

Empty ● ● ● Replace bag Full

INDICADOR DE ESTADO DEL CEPILLO DE RODILLO

Indicador de estado del cepillo de rodillo	Estado
Luces LED verdes	El cepillo de rodillo está girando y funcionando como debería.
Luces LED rojas	Hay un atascamiento en el área del cepillo de rodillo. Apague y desconecte la aspiradora; luego, quite cualquier bloqueo de la boquilla.
Sin luces LED	El cepillo de rodillo está apagado.

Indicador de estado del cepillo de rodillo



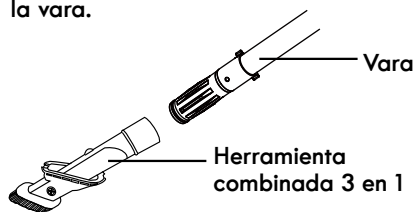
MODOS DE FUNCIONAMIENTO

MODO SOBRE EL SUELO

1. Coloque la aspiradora en posición de bloqueo recta.
2. Presione el botón de liberación de la vara y levántela para limpiar sobre el nivel del suelo.

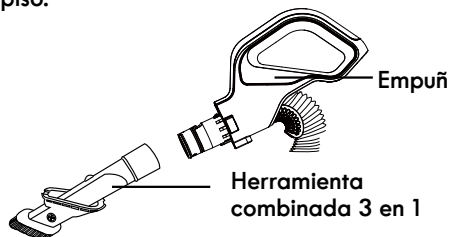


3. Elija el accesorio deseado e insértelo en la vara.



4. Encienda la aspiradora presionando el botón de encendido/apagado.
5. Tras haber terminado de aspirar, vuelva a presionar el botón de encendido/apagado y desconecte el cable de alimentación de la toma de corriente.

NOTA: los accesorios también se pueden insertar directamente en la empuñadura para limpiar sobre el nivel del piso.



⚠ PRECAUCIÓN

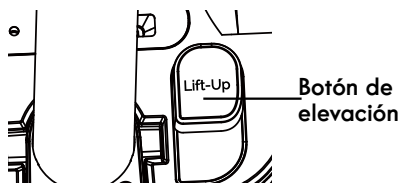
Al usar accesorios, tenga cuidado de no estirar la manga flexible más de la cuenta. Estirar la manguera más allá de su capacidad podría provocar que la aspiradora se vuelque.

⚠ PRECAUCIÓN

NO tire de la manguera para mover la aspiradora dentro de la habitación. Podrían producirse daños a la propiedad o lesiones personales.

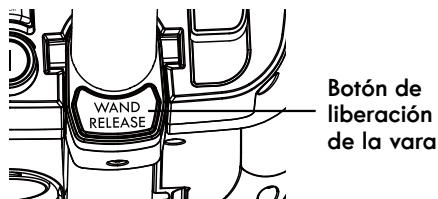
MODO ELEVACIÓN

1. Coloque la aspiradora en posición de bloqueo recta.
2. Presione el botón de elevación para elevar la unidad y poder transportarla.



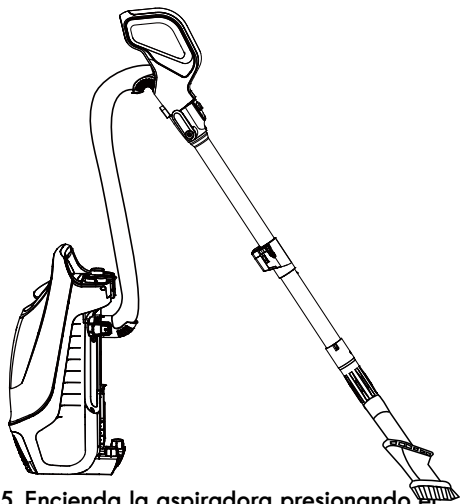
3. Presione el botón de liberación de la vara y levántela para limpiar escaleras u otros lugares difíciles de alcanzar.

NOTA: asegúrese de que el cable de alimentación no esté enganchado en los ganchos del cable antes de elevar la vara.



MODO LEVANTAR

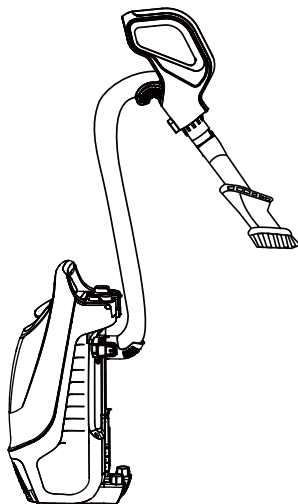
4. Elija el accesorio deseado e insértelo en la vara.



5. Encienda la aspiradora presionando el botón de encendido/apagado.

6. Tras haber terminado de aspirar, vuelva a presionar el botón de encendido/apagado y desconecte el cable de alimentación de la toma de corriente.

NOTA: los accesorios también se pueden insertar directamente en la empuñadura.



PRECAUCIÓN

Al usar accesorios, tenga cuidado de no estirar la manga flexible más de la cuenta. Estirar la manguera más allá de su capacidad podría provocar que la aspiradora se vuelque.



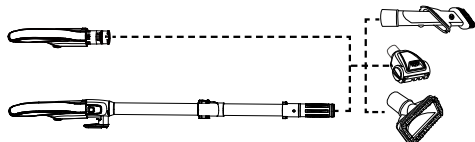
PRECAUCIÓN

NO tire de la manguera para mover la aspiradora dentro de la habitación. Podrían producirse daños a la propiedad o lesiones personales.

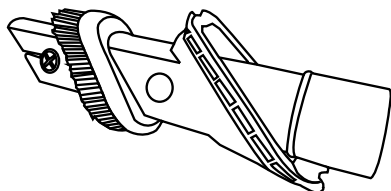
ACCESORIOS

HERRAMIENTA COMBINADA 3 EN 1

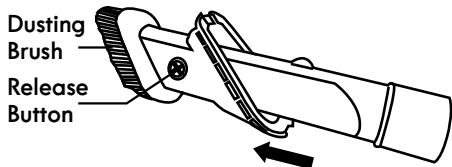
La herramienta combinada 3 en 1 se puede fijar al extremo de la vara y empuñadura. Deslice el collar de la herramienta sobre el extremo abierto de la vara o empuñadura.



Utilice la herramienta combinada 3 en 1 en modo herramienta para hendiduras para limpiar espacios angostos en muebles, entre cojines y en escaleras. Consulte la TABLA DE USO DE ACCESORIOS (página 14).

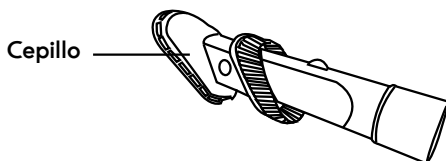
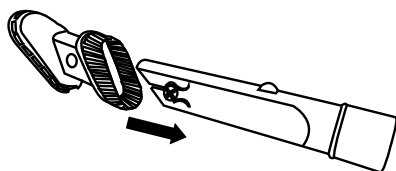


Configure la herramienta combinada en modo cepillo para limpiar polvo presionando el botón de liberación y deslizando el costado con cepillo de la herramienta hacia el extremo de la herramienta combinada. Use en modo cepillo para limpiar polvo para limpiar superficies holgadas, como cortinas. Consulte la TABLA DE USO DE ACCESORIOS (página 14).



Presione el botón de liberación para sacar el cepillo para limpiar polvo. Configure la herramienta combinada en cepillado para tapiz como se indica. Use en modo

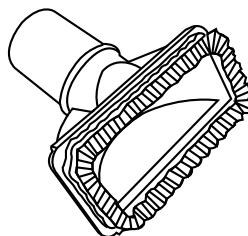
tapizado para limpiar superficies de tela como sofás, etc. Consulte la TABLA DE USO DE ACCESORIOS (página 14).



Para devolver la herramienta combinada a modo hendiduras, presione el botón de liberación y deslice el cepillo por la herramienta combinada.

CEPILLO PARA SACUDIR

La cepillo para sacudir se puede fijar al extremo de la manguera flexible y de la vara de extensión. deslice el collar de la herramienta sobre el extremo abierto de la manguera o vara. use la cepillo para sacudir para limpiar superficies de tela tales como sofás y sábanas. Consulte la TABLA DE USO DE ACCESORIOS (página 15).



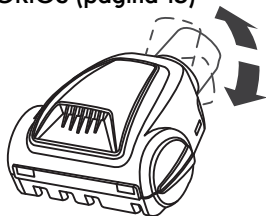
ACCESORIOS

PET HANDIMATE®

La herramienta Pet HandiMate® se puede fijar al extremo de la manguera flexible y de la vara de extensión.






El Pet HandiMate® es pivotante para facilitar la limpieza.

Use el Pet HandiMate® para limpiar superficies de tela tales como muebles o alfombras. Consulte la TABLA DE USO DE ACCESORIOS (página 15)



⚠ PRECAUCIÓN
use los accesorios cuando la aspiradora esté derecha.

TABLA DE USO DE ACCESORIOS

ACCESORIO	ÁREA DE LIMPIEZA					Rodapiés
	Mueble*	Entre cojines*	Cortinas*	Escaleras		
				Alfombra	Liso	
HERRAMIENTA PARA HENDIDURAS 	✓	✓		✓	✓	✓
CEPILLO PARA POLVO 	✓		✓	✓	✓	✓
CEPILLO PARA TAPIZADO 	✓		✓			
CEPILLO PARA SACUDIR 	✓		✓			
PET HANDIMATE® 	✓			✓		

*Limpie siempre los accesorios antes de usarlos en telas.

DESEMPEÑO/CARACTERÍSTICAS DE SEGURIDAD

PROTECTOR TÉRMICO

Esta aspiradora tiene un protector térmico que se activa automáticamente para proteger al motor de succión de la aspiradora. Si un tapón evita el flujo normal de aire hacia el motor, el protector térmico apaga el motor automáticamente. Esto deja enfriar el motor a fin de evitar posibles daños a la aspiradora.

Para restablecer el protector térmico: Apague la aspiradora y desconecte el cable de alimentación desde la toma de corriente para dejar enfriar la aspiradora y que el protector térmico se restablezca.



PRECAUCIÓN

Vuelva a colocar siempre la aspiradora en posición recta antes de usar la manguera y los accesorios. No hacerlo puede provocar sobrecalentamiento del motor del cepillo de rodillo y la activación del protector térmico.

Revise y saque los taponos; vacíe la bolsa de polvo si fuese necesario. Además, compruebe y limpie los filtros tapados. Espere aproximadamente 50 minutos antes de reencender la aspiradora.

VÁLVULA DE PASO

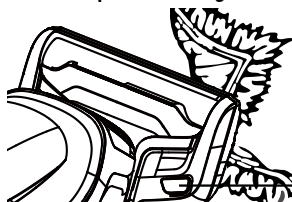
Esta aspiradora tiene una válvula de paso que evita que el motor se sobrecaliente y se dañe. La válvula se abre para proporcionar refrigeración por aire cuando un tapón evita el paso normal del aire hacia el motor de succión de la aspiradora. Observará un cambio en el sonido cuando el aire entre por la válvula.

Para corregir el problema, saque cualquier obstrucción, revise y cambie los filtros según sea necesario, revise e instale una nueva bolsa de polvo si es necesario.

NOTA: la válvula de paso podría abrirse al usar accesorios o al limpiar una alfombra nueva debido a un menor flujo de aire o a una vía aérea tapada, provocado por los accesorios mismos o por un exceso de pelusas de la alfombra nueva en la bolsa de polvo, lo que la llenaría rápidamente.

RESTABLECIMIENTO DEL CEPILLO DE RODILLO

El cepillo de rodillo tiene una protección integrada contra daños al motor en caso de un atascamiento del cepillo. Si el cepillo de rodillo se ralentiza o se detiene, el protector de sobrecarga del cepillo apaga el motor y la luz de estado del cepillo se vuelve roja. El motor de succión de la aspiradora sigue funcionando.



Indicador de estado del cepillo de rodillo

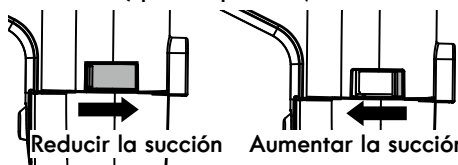
Para resolver el problema: apague y desconecte la aspiradora, quite la obstrucción y encienda la aspiradora.

NOTA: Cuando el motor del cepillo de rodillo se apague, quite el atascamiento del cepillo y vuelva a encender la aspiradora. Si el problema continúa, contacte a la línea de ayuda para obtener asistencia.

CONTROL DE SUCCIÓN

Puede abrir la válvula de control de succión para ayudar con la fuerza de succión/empuje de la aspiradora en superficies tales como alfombras densas, a fin de reducir la succión. Tenga en cuenta que para lograr los mejores resultados posibles, la válvula de control de succión debe estar totalmente cerrada.

- Deslice hacia la derecha para abrir el control de succión y reducir la succión. Abrir el control reduce la succión sobre cortinas y alfombras ligeras.
- Deslice hacia la izquierda para cerrar el control de succión y aumentar la succión. Al cerrar el control se aumenta la succión, para tapizado y alfombras.



MANTENIMIENTO Y CUIDADO DE LA ASPIRADORA

Siga siempre todas las precauciones de seguridad al realizar mantenimiento a la aspiradora.



ADVERTENCIA

riesgo de descarga eléctrica y lesiones personales

Desconecte la aspiradora de la toma de corriente antes de repararla o limpiarla. No hacer esto podría provocar descargas eléctricas o lesiones personales provocadas por un encendido súbito de la aspiradora.

LIMPIEZA DEL EXTERIOR Y DE LOS ACCESORIOS

1. Apague y desconecte la aspiradora. NO deje caer agua sobre la aspiradora.
2. Para limpiar el exterior o para reducir la electricidad estática y la obstrucción de polvo, limpie la superficie exterior con un paño limpio y suave que se haya empapado con una solución de detergente líquido suave y agua para luego haberse estrujado. Seque después de limpiar.

NOTA: lave los accesorios en agua tibia jabonosa, enjuague y seque al aire. No limpie estas piezas usando un lavavajillas.



PRECAUCIÓN

No use accesorios si están mojados. Los accesorios usados en zonas sucias, tales como bajo un refrigerador, no deben usarse en otras superficies sino hasta haberlas lavado. Podrían dejar marcas.

ALMACENAMIENTO DE LA ASPIRADORA



ADVERTENCIA

riesgo de descarga eléctrica y lesiones personales

Enrollar el cable demasiado firme aplica tensión sobre el mismo y puede provocar daños. Un cable dañado representa un peligro de descarga eléctrica y podría causar lesiones a las personas o daños.

1. Coloque los accesorios y mangueras flexibles en posición de almacenamiento si es necesario (consulte la página 6 & 7).
2. Reúna el cable y enróllelo con holgura alrededor de los ganchos superior e inferior. Bloquee el retén de la clavija en el cable de alimentación. Consulte la página 7.
3. Guarde la aspiradora en un área seca en interior, en el piso con el empuñadura trabada en posición vertical.

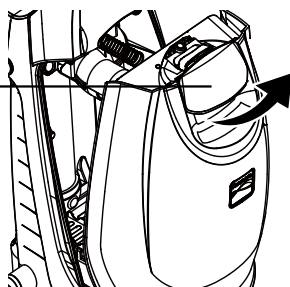
CAMBIO DE LA BOLSA DE POLVO

WARNING

Desconecte siempre el cable de alimentación de la toma de corriente antes de realizar cualquier reparación o limpieza en la aspiradora.

1. Empuje la empuñadura de liberación de la cubierta de la cámara de la bolsa hacia afuera y arriba, sosteniendo la puerta usando la empuñadura.

Liberación de la cubierta de la cámara de la bolsa de polvo



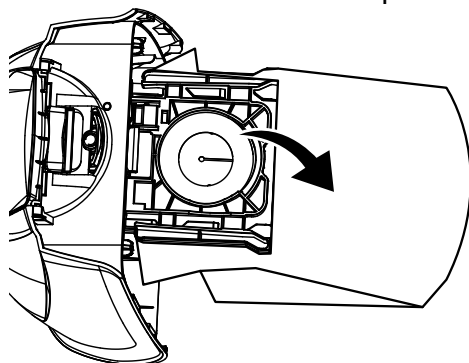
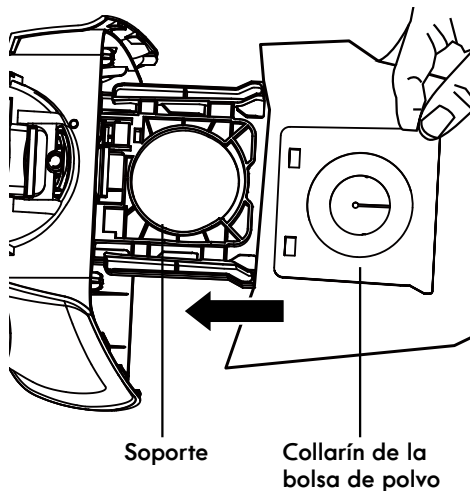
NOTA: No presiones el botón de liberación de la bolsa de polvo al soltar la cubierta de la cámara, o la bolsa de polvo caerá automáticamente.

2. Incline la cámara de polvo como se indica. Presione el botón de liberación de la bolsa de polvo y caerá automáticamente.



Liberación de la bolsa de polvo
Botón

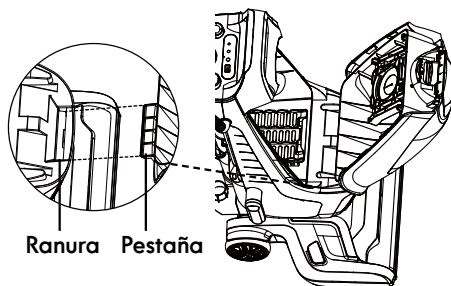
3. Para instalar una nueva bolsa de polvo, inserte el collarín de la bolsa de polvo en el soporte hasta escuchar un “clic” y luego gire el soporte hacia abajo hasta escuchar otro “clic”. Inserte la bolsa en la cámara de la bolsa de polvo. Asegúrese de que todos los lados de la bolsa de polvo calcen bien dentro de la cámara de polvo.



CAMBIO DE LA BOLSA DE POLVO

4. Coloque la pestaña de la cámara de la bolsa de polvo en la ranura de la aspiradora. Presione la cubierta de la cámara de la bolsa de polvo hacia su posición hasta escuchar un "clik".

NOTA: Asegúrese de que la bolsa de polvo quede fija antes de presionar la cubierta de la cámara de la bolsa de polvo. La cubierta de la cámara de la bolsa de polvo no se puede ensamblar exitosamente si la bolsa no está instalada ni en posición.



LIMPIEZA DEL FILTRO DE ESPUMA



ADVERTENCIA

Riesgo de descarga eléctrica

Desconecte el cable de alimentación de la toma de corriente. No use la aspiradora sin el filtro de espuma. Asegúrese de que el filtro esté seco y adecuadamente instalado para así evitar que el motor falle o sucedan descargas eléctricas.

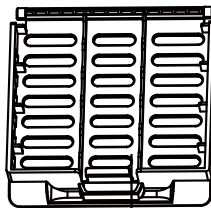
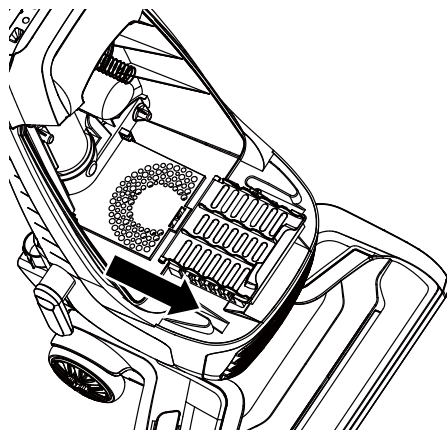
Limpie el filtro de espuma con agua fría si es necesario.

NOTA: cuando limpiar los filtros ya no restaure la potencia de succión de la aspiradora, o cuando los filtros se hayan gastado o dañado, cámbielos. Para comprar filtros, llame al 1-844-608-3080.

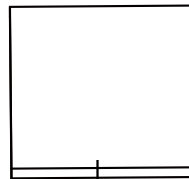
Limpie y reemplace regularmente los filtros para mantener la potencia de succión de la aspiradora a un nivel óptimo.

1. Saque la bolsa de polvo como se indica en la sección CAMBIO DE LA BOLSA DE POLVO (página 17-18).

2. Saque la cubierta del filtro de espuma y el filtro de espuma.



Cubierta del filtro de espuma



Filtro de espuma

LIMPIEZA DEL FILTRO DE ESPUMA

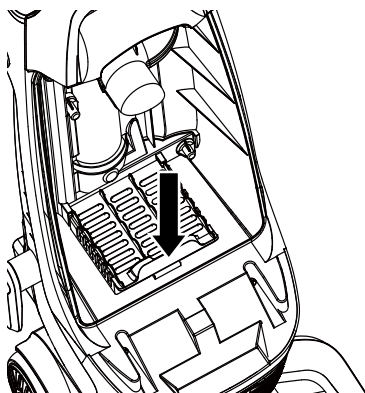
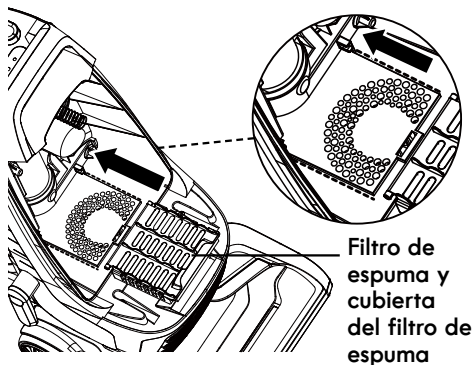
3. Lave el filtro con agua jabonosa tibia, enjuague y seque exhaustivamente estrujando el exceso de agua del filtro y dejándolo secar durante 24 horas.

NOTA: NO usar sin el filtro de espuma instalado.

NO lavar en lavavajillas.

NO instale el filtro si está mojado.

4. Reinstale el filtro de espuma en la cubierta del filtro y deslícelo hacia las ranuras hasta que quede en posición. Presione la cubierta para bloquearla en posición hasta escuchar un "clic".



NOTA: cambie el filtro de espuma si está roto o gastado.

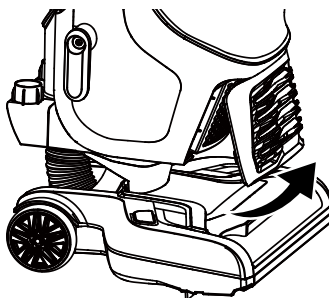
5. Reinstale la bolsa de polvo como se indica en CAMBIO DE LA BOLSA DE POLVO (página 17-18).

LIMPIEZA DEL FILTRO DE ESCAPE DE MEDIOS HEPA

Se recomienda limpiar el filtro de escape de medios HEPA con agua fría todos los años.

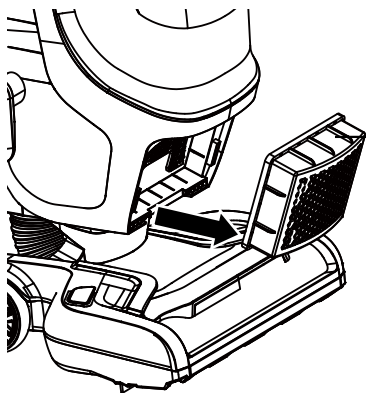
NOTA: cuando limpiar el filtro ya no restaure la potencia de succión de la aspiradora, o cuando el filtro se haya gastado o dañado, cámbielo. Para comprar el filtro de escape, llame al 1-844-608-3080.

1. Saque la cubierta del filtro de escape tirando la pestaña de la parte inferior de la cubierta hacia afuera.



LIMPIEZA DEL FILTRO DE ESCAPE DE MEDIOS HEPA

2. Saque el filtro de escape de medios HEPA de la aspiradora.



Filtro de escape de medios HEPA

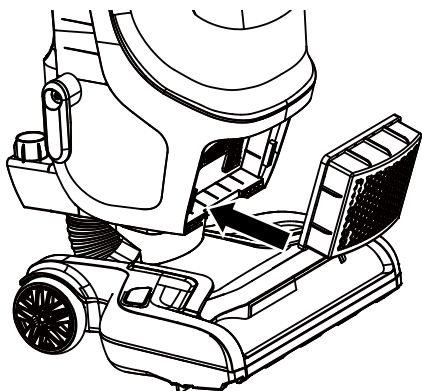
3. Lave usando solo agua fría, NO use detergentes o jabón. Deje secar al aire. Deje secar las piezas durante 24 horas antes de volver a colocarlas en la aspiradora.

NOTA: NO usar sin el filtro post-motor instalado.

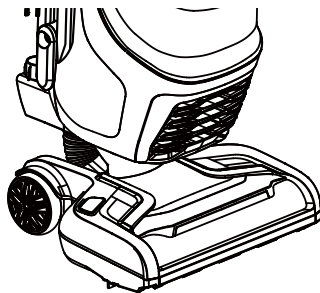
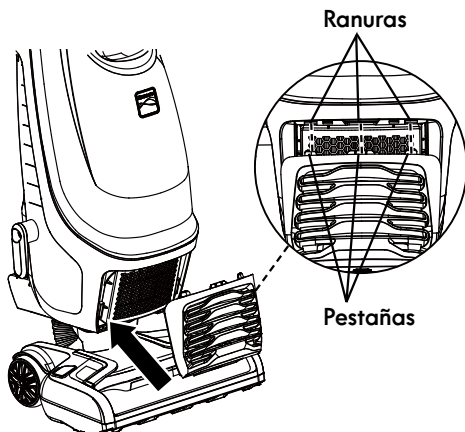
NO lavar en lavavajillas.

NO instale el filtro si está mojado.

4. Reinstale el filtro de escape de medios HEPA en la aspiradora.



5. Inserte las pestañas de la cubierta del filtro de escape en las ranuras superiores y fije la cubierta del filtro de escape en posición presionando la pestaña de liberación bajo la cubierta hasta escuchar un clic.



NOTA: asegúrese de que la cubierta del filtro de escape esté instalada correctamente.

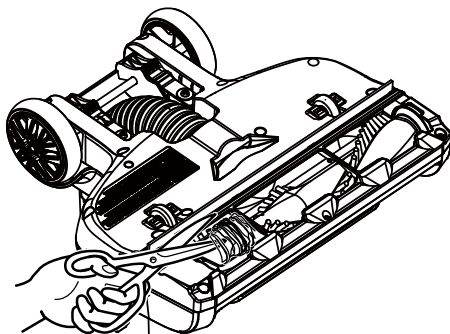
LIMPIEZA DEL CEPILLO DE RODILLO



ADVERTENCIA

Desenchufe siempre el cable de alimentación de la toma de corriente antes de realizar tareas de mantenimiento en la aspiradora.

Para mantener una limpieza eficiente, el cepillo de rodillo debe estar libre de fibra de alfombras, hebras u obstrucciones de cabello. Si el cepillo de rodillo está atorado, desconecte y voltee la aspiradora para revisar que el cepillo no tenga obstrucciones de fibra ni cabellos. Use unas tijeras para sacar cualquier objeto enredado en el cepillo de rodillo. También se recomienda limpiar el cepillo de rodillo cada 7 a 10 usos para alcanzar el mejor rendimiento.



LIMPIEZA CON EL PET HANDIMATE®



ADVERTENCIA

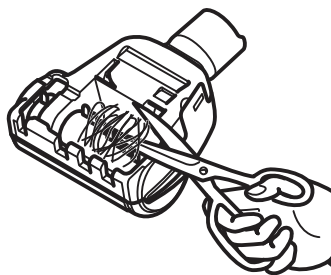
Desenchufe siempre el cable de alimentación de la toma de corriente antes de realizar tareas de mantenimiento en la aspiradora.

Corte cualquier resto de alfombra y pelusa enredado en el cepillo de rodillo usando un par de tijeras.



PRECAUCIÓN

Para reducir el riesgo de lesiones provocadas por piezas móviles, saque el Pet HandiMate® de la manguera o vara de la aspiradora antes de realizar reparaciones.



CÓMO QUITAR OBSTRUCCIONES



ADVERTENCIA

Desconecte la fuente de alimentación antes de quitar obstrucciones. El no seguir estas indicaciones puede provocar lesiones personales o descargas eléctricas.

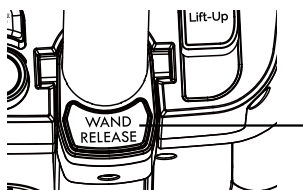
COMPROBACIÓN DE OBSTRUCCIONES EN LA MANGUERA FLEXIBLE

En caso de haber un ruido anormal al usar la aspiradora, o si la potencia de succión cae súbitamente, es necesario revisar que no haya obstrucciones en la vía aérea.

Revise frecuentemente la vía de aire para asegurarse de que no tenga obstrucciones.

NOTA: cuando la vía aérea esté bloqueada, los cuatro LED del indicador del nivel de llenado de la bolsa parpadean de color rojo.

1. Suelte la vara de la unidad y asegúrese de sacar los accesorios de la vara.

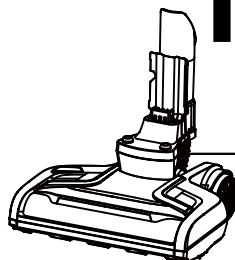
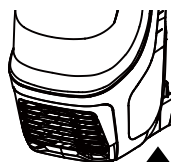
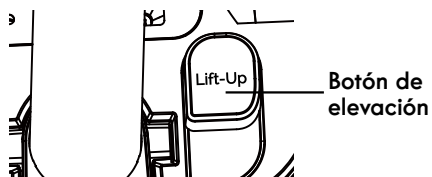


Botón de liberación de la vara

2. Revise y saque cualquier obstrucción de la manguera flexible y vara.
3. Reinstale la vara flexible en la aspiradora. Consulte ENSAMBLAJE (página 6).

COMPROBACIÓN DE OBSTRUCCIONES EN LA MANGUERA DE CONEXIÓN

Para separar la unidad de la boquilla, presione el botón de elevación y levante la unidad.



Manguera de conexión

1. Revise y quite cualquier obstrucción de la manguera de conexión.
2. Reinstale la boquilla en el cuerpo de la aspiradora.

RESOLUCIÓN DE PROBLEMAS

Revise esta tabla para encontrar soluciones que pueda aplicar usted mismo a problemas de rendimiento menores. Cualquier reparación necesario que no sean los procedimientos de mantenimiento indicados en esta guía de uso y cuidado se deben realizar mediante un agente de servicio calificado.



ADVERTENCIA

Desconecte el suministro eléctrico antes de realizar cualquier trabajo de mantenimiento en la aspiradora. El no seguir estas indicaciones puede provocar lesiones personales o descargas eléctricas.

PROBLEMA	CAUSA PROBABLE	SOLUCIÓN
La aspiradora no funciona.	Está desenchufada del tomacorriente.	Conecte con firmeza, presione el interruptor de encendido/apagado.
	No está presionado el interruptor de encendido/apagado para encender en la aspiradora.	Presione el interruptor de encendido/apagado para encender la aspiradora.
	Toma de corriente defectuosa.	Pruebe usando una lámpara o electrodoméstico que funcione correctamente. Haga que reparen correctamente la toma de corriente.
	El cuerpo de la aspiradora está sobrecalentado.	Desconecte el cable de alimentación y deje enfriar la aspiradora durante 50 minutos.
	El motor está dañado.	Para obtener ayuda, llame al 1-844-608-3080.
Recolección de suciedad ineficiente.	La manguera y accesorios no están instalados correctamente.	Revise que la manguera y accesorios estén bien instalados y asegúrese de que se conecten firmemente.
	La bolsa de polvo no está instalada correctamente.	Revise que la bolsa de polvo esté bien instalada y asegúrese de que se conecte firmemente.
	Bolsa para polvo llena o tapada.	Cambie la bolsa de polvo (página 17-18).
	Hay una obstrucción en la vía aérea.	Revise y saque cualquier tapón. Siga las instrucciones de la página 22.
	El control de succión está en posición abierta.	Ajuste el control de succión para aumentar la potencia. Siga las instrucciones de la página 15.
	Debe limpiar o reemplazar el filtro de espuma o filtro de escape de medios HEPA.	Limpie o reemplace el filtro de espuma o filtro de escape de medios HEPA. Siga las instrucciones de limpieza o cambio del filtro de escape de medios HEPA que se indican en la página 18-19 o 19-20.

RESOLUCIÓN DE PROBLEMAS

	La manguera está gastada.	Cambie la manguera. Para comprar piezas, llame al 1-844-608-3080.
	El cepillo de rodillo está gastado.	Para obtener ayuda, llame al 1-844-608-3080.
	La correa está gastada o rota.	Para obtener ayuda, llame al 1-844-608-3080.
Hay un escape de polvo en la aspiradora.	La bolsa de polvo o cámara de la bolsa de polvo no están instaladas correctamente.	Revise que la bolsa de polvo o cubierta de la cámara de la bolsa de polvo estén bien instaladas y asegúrese de que se conecten firmemente. Siga las instrucciones de la página 17-18.
	El filtro de escape de medios HEPA está mal instalado.	Revise que el filtro de escape esté bien instalado. Siga las instrucciones de la página 19-20.
	La bolsa de polvo está gastada o rota.	Revise y cambie la bolsa de polvo.
	El filtro de espuma o filtro de escape de medios HEPA está gastado o roto.	Revise y reemplace el filtro de espuma o filtro de escape de medios HEPA.
El cepillo de rodillo no gira.	La empuñadura está en posición totalmente recta.	Mueva la empuñadura desde su posición totalmente recta.
	No está presionado el botón de encendido/apagado del cepillo de rodillo.	Para encender el cepillo de rodillo, presione el botón de encendido/apagado.
	El cepillo de rodillo está atascado.	Quite la obstrucción. Siga las instrucciones de la página 21.
	El cepillo de rodillo no está instalado correctamente.	Para obtener ayuda, llame al 1-844-608-3080.
	La correa no está bien colocada.	Para obtener ayuda, llame al 1-844-608-3080.
	Falla en la sección PCB de la boquilla motorizada.	Para obtener ayuda, llame al 1-844-608-3080.
El sonido cambia.	La cubierta del filtro de escape no está instalada correctamente.	Coloque correctamente la cubierta del filtro de escape y hágala calzar con firmeza en posición. Siga las instrucciones de la página 20.
	La vía aérea está bloqueada.	Revise y quite cualquier obstrucción y despeje la vía aérea. Siga las instrucciones de la página 22.
	Usar accesorios restringe el flujo de aire.	Revise que los accesorios no tengan pelusas, pelo de mascotas u otros sedimentos.

RESOLUCIÓN DE PROBLEMAS

La aspiradora se apaga sola.	La clavija del cable de alimentación se suelta de la toma de corriente al usar la aspiradora.	Reinserte la clavija del cable de alimentación en la toma de corriente. Evite tirar del cable de alimentación o arrastrarlo al usar la aspiradora.
	Protector térmico activado.	Apague la aspiradora y desconéctela. Revise la vía aérea y bolsa de polvo. Deje enfriar la aspiradora durante un mínimo de 50 minutos. Conecte la aspiradora y enciéndala.
	El motor está dañado.	Para obtener ayuda, llame al 1-844-608-3080.
La luz indicadora de estado del cepillo de rodillo está de color rojo.	Hay un atascamiento en el área del cepillo de rodillo.	Apague y desconecte la aspiradora. Saque cualquier bloqueo del cepillo de rodillo. Consulte la página 21.
	El cepillo de rodillo está gastado o roto.	Para obtener ayuda, llame al 1-844-608-3080.
La cubierta de la cámara de la bolsa de polvo no se puede instalar.	La bolsa de polvo no está colocada o no está instalada en su lugar.	Coloque correctamente la bolsa de polvo y hágala calzar con firmeza en posición. Siga las instrucciones de la página 17-18.

Kenmore®

Vacuum Cleaner Help Line

1-844-608-3080

8:00 am – 5:00 pm ET M-F

**Refer to the Troubleshooting section
of the Use & Care Guide.**

**For additional assistance,
call the Vacuum Cleaner Help Line.**

